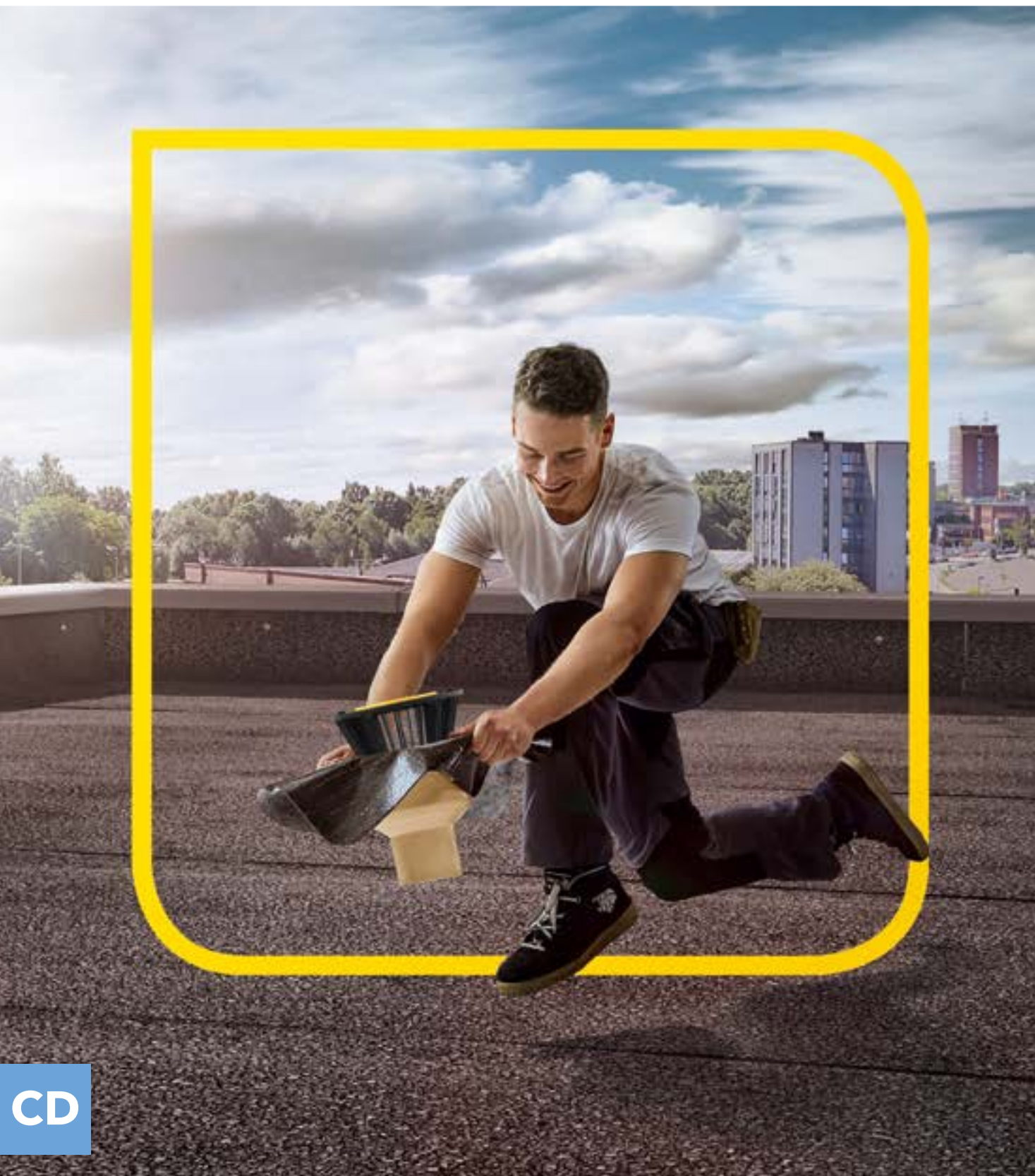


Sitaleicht.
Conventional
drainage.



CD

leicht entwässern.

CD

for Conventional drainage:

Your roof needs drainage!

Rainwater weighs heavy on roofs - and can be a real test for the seal and structural strength. Conventional drainage is the most common type of roof drainage for flat roofs. It is governed by clear design regulations. The required number of rainwater outlets is defined by the size of the roof area. A separate fall pipe is generally connected to each rainwater outlet - so that rainfall can be drained reliably at all times.

1

Why conventional drainage?

06 The principle of conventional drainage.

2

Products

08 **Decision matrix** Regulations

10 SitaStandard

12 Product details

31 Installation examples



36 SitaTrendy

38 Product details

60 Installation examples



64 SitaMulti

66 Product details

81 Installation examples



86 SitaFireguard®

88 Product details

94 Installation examples



97 Connecting sleeves

98 Sita's excellent performance

3

Sitaleicht

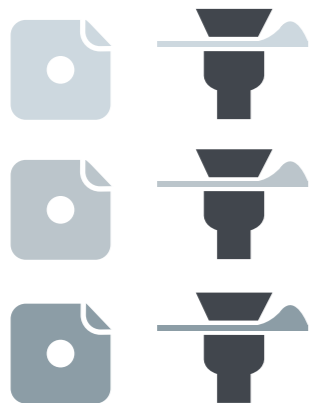
99 Sita product range

100 Sita contacts

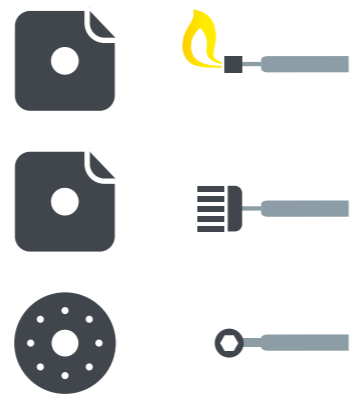
Uniquely simple drainage. Robust in the long term.

Sita is a drainage expert. What type of drainage is the right one for you? Sita will advise you based on the relevant standards - and will protect your roof with the most common of all drainage systems - conventional drainage. The rainwater drainage system is evaluated in its entirety - from the roof outlet and pipelines to the transfer point into the public sewer. An ideal all-round solution and compatible with your planned construction project.

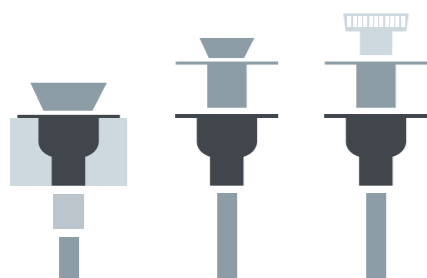
Connecting sleeve of your choice - to match any roofing membrane



Flexible connection by welding, gluing or screwing



Modularity provided by combinable sectional assembly



Other benefits of conventional drainage

- + Simple function.
- + Flexible connection.
- + Fast installation.
- + Saves time.
- + Saves money.

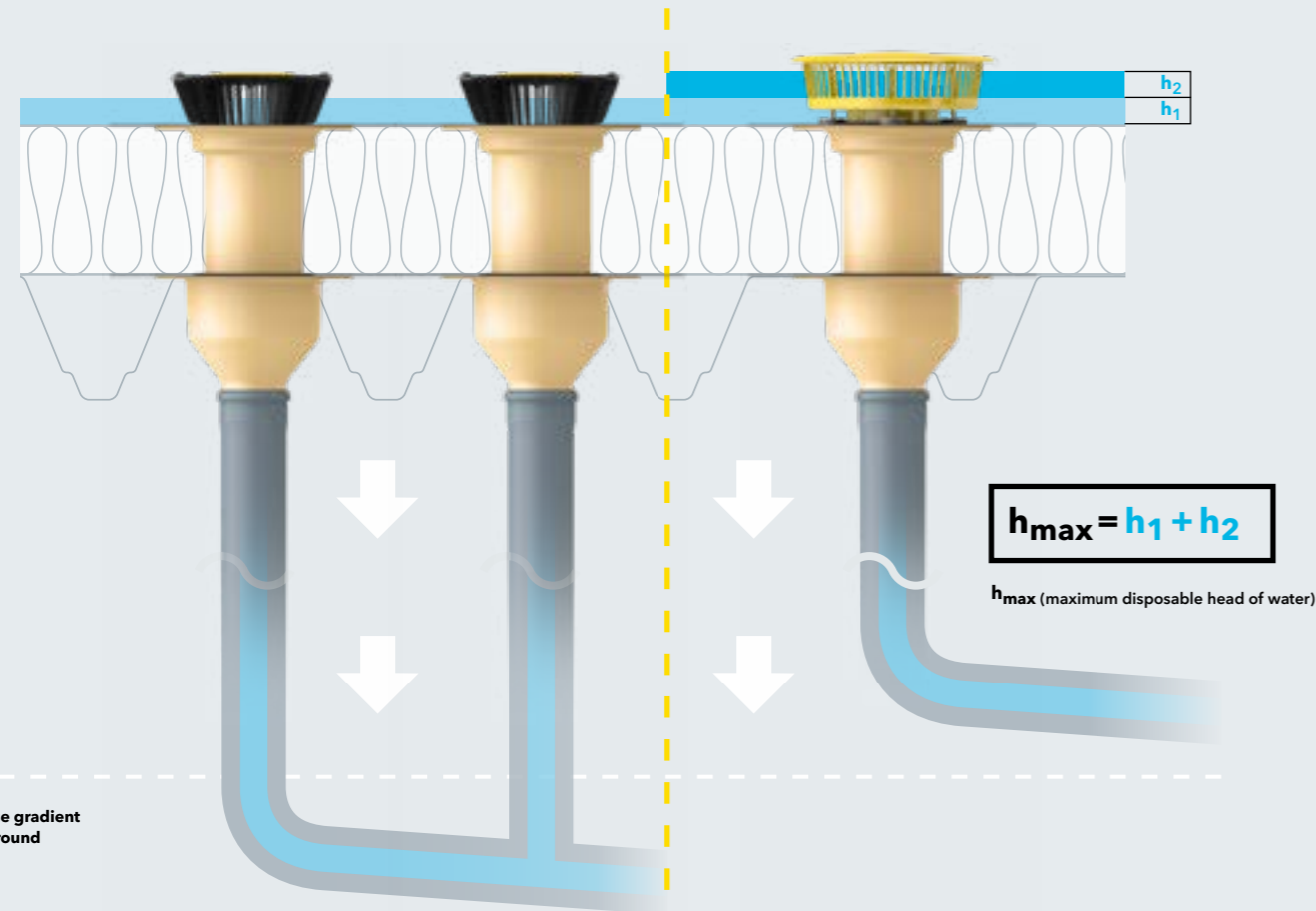


Jonas Drahl
DEALER

Conventional drainage - proven ease of handling, taken to the next level.

Sita makes things work. Implemented correctly, the modular conventional drainage system will provide your project with a safe roof. In almost every conceivable way. You plan individually whereas Sita delivers the spot-on support you need. Conventional drainage means that as part of the internal main drainage system each individual rainwater roof outlet is connected to its dedicated fall pipe. Hereby the main drainage system discharges the water into the ground pipe whilst an emergency drainage system discharges the water freely onto areas which can be flooded damage-free. [See page 8 for DIN standards and regulations.](#)

The principle of conventional drainage.



Main drainage system

The principle of conventional drainage: The water drains through multiple fall pipes into a ground pipe with a gradient and gets discharged then via this pipe. However, in case of heavy rainfall incidents the main drainage system reaches its capacity limits. This is where the emergency drainage system kicks in - from a precisely defined head of water.

h_1 Head of water of the main drainage system

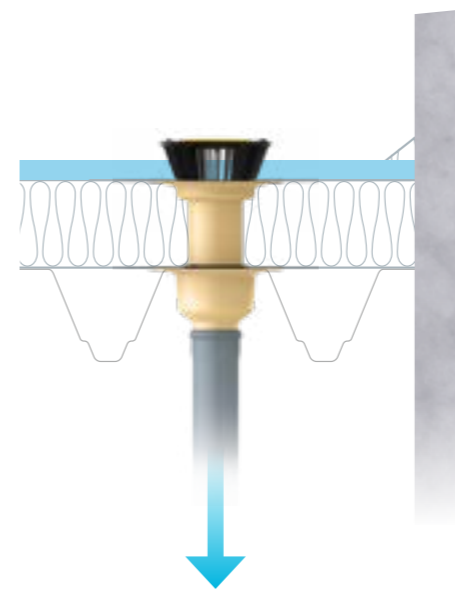
Emergency drainage

Emergency drainage systems require an additional piping system **which must drain freely on to the property.** It shall never be connected to the main drainage system's pipes. This is the only way of preventing uncontrolled backflow and an excessive static load.

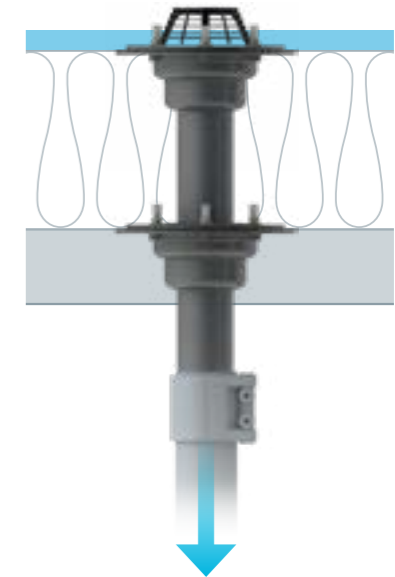
h_2 Head of water of the emergency drainage system

Sita conventional drainage is the most common method of internal drainage for flat roofs. It is regulated by DIN EN 12056 Part 3 and DIN 1986 Part 100. The rainwater passes through multiple fall pipes into a ground pipe with a gradient - through which it is then discharged.

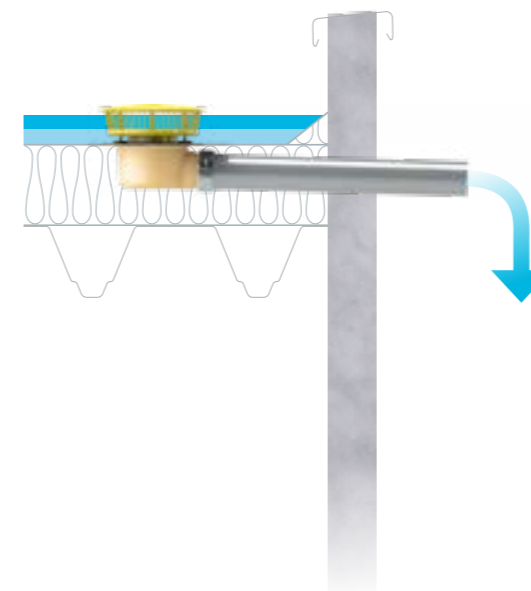
A SitaTrendy, vertical with SitaTrendy extension unit



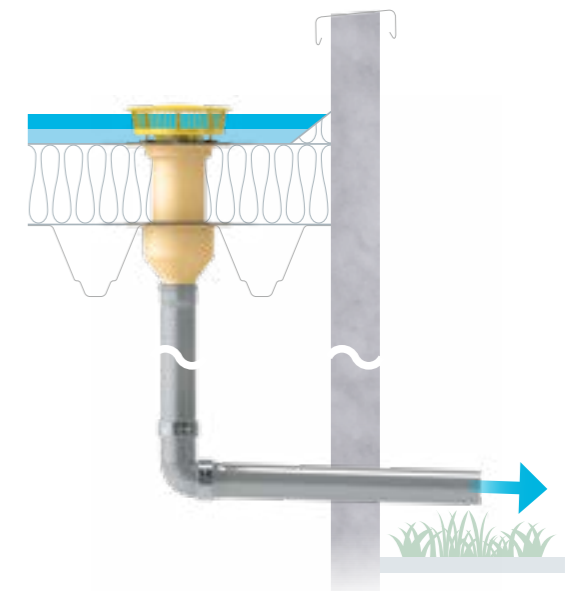
B SitaMulti with SitaMulti extension unit



C SitaStandard, angled with retaining element (N)



D SitaStandard, vertical, with extension unit and retaining element with SitaAttika pipe system (N, A)



An easy decision.

Type of drainage	Integrated selected connection sleeve	Loose fixed flange construction	Sizes up to DN 200	Internal drainage	Drainage through the parapet*	Combination with components from other series	Non-flammable	Material properties
Conventional drainage								Polyurethane
Conventional drainage								Polyurethane
Conventional drainage								Cast iron
Conventional drainage								Polyethylene, Polyurethane

* angled version

Regulations and standards

The following standards and regulations, among others, must be taken into consideration when planning and installing flat roof drainage systems.

DIN EN 12056-3

Gravity drainage systems inside buildings

DIN EN 752

Drain and sewer systems outside buildings

DIN 1986-100

Drainage systems for buildings and properties

DIN 18531-1 to 5

Waterproofing membranes

DIN EN 1253-2

Roof outlets and floor drains without drain trap

DIN 18234

Fire protection for large roof areas

LAR Guideline

Fire protection requirements for pipe systems

ZVSHK Plumbing Handbook

Pipeline construction

DDH regulation

Regulations for roofs with waterproofing membranes

FLL Guideline

For planning, building and maintaining roof greenings

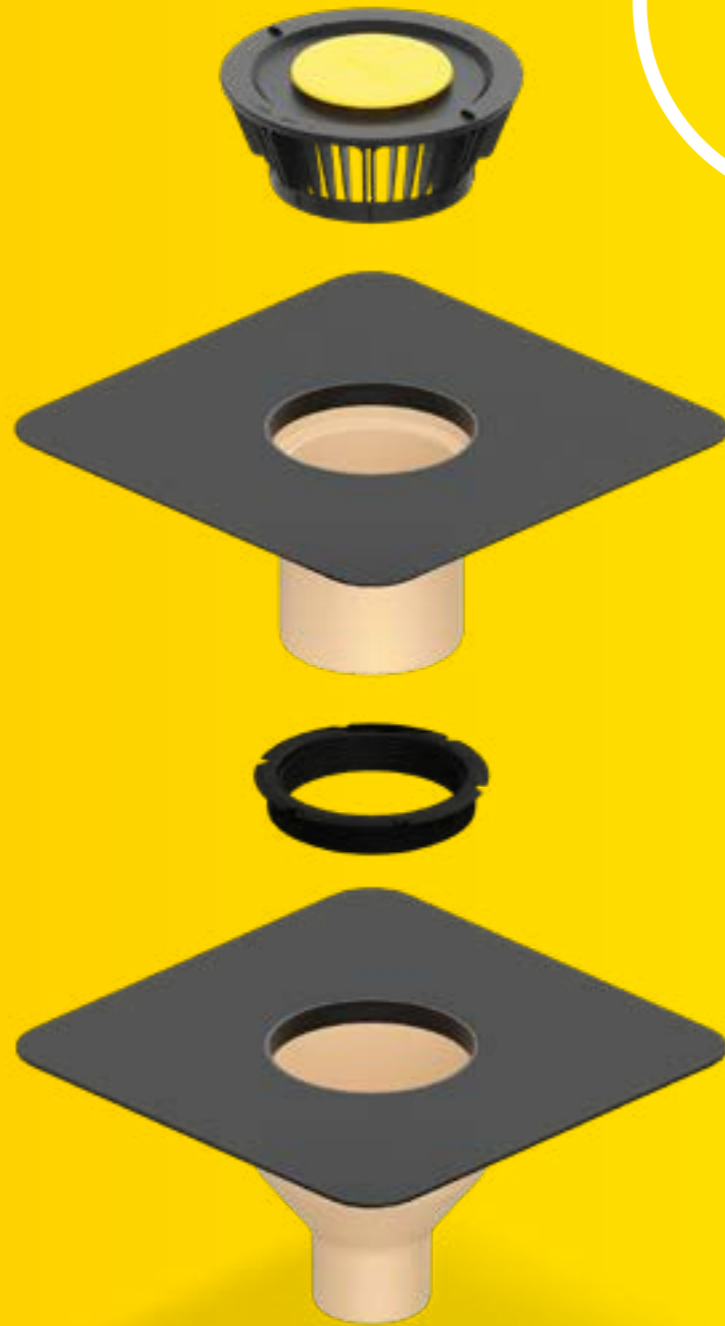
Industrial Construction Guideline

Guideline for fire protection in industrial buildings

SitaStandard

The classic. Robust and reliable.

Click here for
the website!



- + Maximum discharge volume
- + Up to size DN 200
- + Robust construction
- + Homogeneous roofing membrane connection
- + Suitable for bridging all insulation thicknesses from 60 mm to 520 mm



SitaStandard
vertical



SitaStandard
vertical heated



SitaStandard
angled



SitaStandard
angled heated



SitaStandard
Stepped outlet



SitaStandard
Extension unit



SitaMore
Retaining element for
SitaStandard/SitaMulti



SitaMore
Retaining ring



SitaStandard
Insulating body for rain-
water outlet



SitaStandard
Insulating body for
extension element



SitaStandard
angled insulating body



SitaMore
Terrace kit



SitaMore
Reinforcement plate



SitaMore
Pipe sleeve heating



SitaMore
Allround dome grate



SitaMore
Vapour barrier plate



SitaAttika
Cladding cover plate



SitaMore
Sealing sleeve

SitaStandard

Product features at a glance

Product features

Applications	For main and emergency drainage to DIN EN 12056-3 and DIN 1986-100 for large used and unused flat roofs
Material	Polyurethane
Design	vertical Stepped outlet angled
Temperature resistance, min.	-40 °C
Temperature resistance, max.	80 °C
Material class	Euroclass E / B2 normal flammability
Properties	<ul style="list-style-type: none"> + Thermally insulated + Not sensitive to the weather (UV/IR radiation, rain/snow, temperature, ozone, etc.) + Impact and shock resistant + Durable
Workmanship	<p>The general rules of engineering as well as the installation examples and installation instructions of Sita Bauelemente GmbH form the basis. The installation examples are for illustration purposes only and are a general, non-binding recommendation. The design is shown in schematic form only and does not replace the necessary work, detail and installation planning by the contractor. The customer, planner, contractor, etc. is responsible for checking the suitability, completeness and dimensions for the project and adjusting or tailoring the components to suit local requirements. Neighbouring works are shown in schematic form with no guarantee of their being complete or correct. The technical specifications in the information sheets, workmanship guidelines and system permits must be adhered to.</p>

Quality mark



SitaStandard

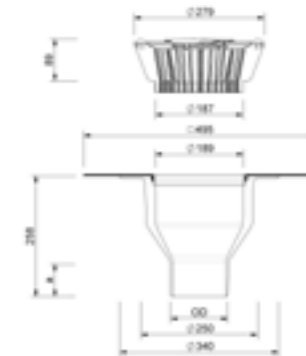
vertical



Tender text

SitaStandard vertical, made of polyurethane, thermally insulated to DIN EN 1253-2 with enhanced quality standard to RAL quality mark GZ-694, in sizes DN 70, DN 100, DN 125, DN 150 and DN 200. For direct connection to pipes with plug-in coupler, for conventional drainage, with large foamed-in connection sleeve of choice (495 mm x 495 mm) to suit the roofing membrane and with fixing ring for additional securing of the connection sleeve and to hold the supplied dome grate, supply and install to professional standards.

Technical drawing



Size DN	OD*	a (mm)	Opening/Core borehole (mm)	Article number
70	75	65	250	10 02 xx
100	110	67		10 04 xx
125	125	70		10 06 xx
150	160	77		10 08 xx
200	200	101		10 10 xx

* OD = Outer diameter (mm)

xx = Article end numbers for connection sleeve of choice

Discharge rate according in l/s to DIN EN 1253-2

Size DN	Retaining height in mm																			
	5	10	15	20	25	30	35	40	45	50	55	60	65	70	75	80	85	90	95	100
70	0,7	1,7	2,7	3,8	4,8	6,0	7,1	8,3	9,4	10,8	12,2	13,5	14,8	14,8	14,8	14,8	14,8	14,8	14,8	14,8
100	0,7	1,8	2,8	3,8	4,8	6,1	7,4	8,5	9,6	11,0	12,3	13,6	14,8	14,8	14,8	14,8	14,8	14,8	14,8	14,8
125	0,7	1,8	2,9	4,1	5,2	6,4	7,6	8,7	9,7	11,0	12,3	14,1	15,8	15,8	15,8	15,8	15,8	15,8	15,8	15,8
150	0,6	1,6	2,6	3,6	4,6	5,9	7,2	8,2	9,2	11,0	12,8	14,0	15,1	15,1	15,1	15,1	15,1	15,1	15,1	15,1
200	0,5	1,5	2,5	3,5	4,5	5,8	7,1	8,1	9,2	10,6	12,0	13,3	14,5	14,5	14,5	14,5	14,5	14,5	14,5	14,5

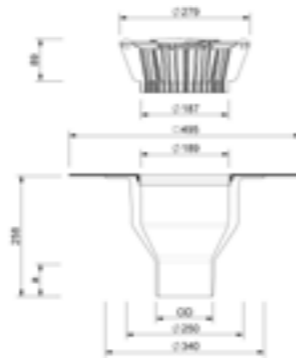
SitaStandard vertical heated



Tender text

SitaStandard vertical, made of polyurethane, thermally insulated to DIN EN 1253-2 with enhanced quality standard to RAL quality mark GZ-694, in sizes DN 70, DN 100, DN 125, DN 150 and DN 200. For direct connection to pipes with plug-in coupler, for conventional drainage, with large foamed-in connection sleeve of choice (495 mm x 495 mm) to suit the roofing membrane and with fixing ring for additional securing of the connection sleeve and to hold the supplied dome grate, with foamed-in heating element to EN 60335-1/2 for sizes DN 70 to DN 150, DN 200 with pipe sleeve heating system and 2.0 m cable for direct connection to 230 V with a heat rating of approx. 10 W, supply and install to professional standards.

Technical drawing



Size DN	OD*	a (mm)	Opening/Core borehole (mm)	Article number
70	75	65	250	10 03 xx
100	110	67		10 05 xx
125	125	70		10 07 xx
150	160	77		10 09 xx
200	200	101		10 11 xx**

* OD = Outer diameter (mm)
** Including pipe sleeve heating

xx = Article end numbers for connection sleeve of choice

Discharge rate according in l/s to DIN EN 1253-2

Size DN	Retaining height in mm																			
	5	10	15	20	25	30	35	40	45	50	55	60	65	70	75	80	85	90	95	100
70	0,7	1,7	2,7	3,8	4,8	6,0	7,1	8,3	9,4	10,8	12,2	13,5	14,8	14,8	14,8	14,8	14,8	14,8	14,8	14,8
100	0,7	1,8	2,8	3,8	4,8	6,1	7,4	8,5	9,6	11,0	12,3	13,6	14,8	14,8	14,8	14,8	14,8	14,8	14,8	14,8
125	0,7	1,8	2,9	4,1	5,2	6,4	7,6	8,7	9,7	11,0	12,3	14,1	15,8	15,8	15,8	15,8	15,8	15,8	15,8	15,8
150	0,6	1,6	2,6	3,6	4,6	5,9	7,2	8,2	9,2	11,0	12,8	14,0	15,1	15,1	15,1	15,1	15,1	15,1	15,1	15,1
200	0,5	1,5	2,5	3,5	4,5	5,8	7,1	8,1	9,2	10,6	12,0	13,3	14,5	14,5	14,5	14,5	14,5	14,5	14,5	14,5

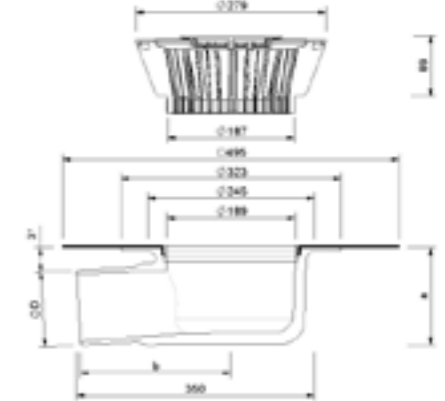
SitaStandard angled



Tender text

SitaStandard angled, made of polyurethane, thermally insulated to DIN EN 1253-2 with enhanced quality standard to RAL quality mark GZ-694, in sizes DN 70, DN 100 and DN 125. For direct connection to pipes with plug-in coupler, for conventional drainage, with large foamed-in connection sleeve of choice (495 mm x 495 mm) to suit the roofing membrane and with fixing ring for additional securing of the connection sleeve and to hold the supplied dome grate, supply and install to professional standards.

Technical drawing



Size DN	OD*	a (mm)	b (mm)	Recess dimension (mm x mm)	Article number
70	75	122	224	250 x 350	10 14 xx
100	110	145	222		10 16 xx
125	125	149	298	250 x 430	10 18 xx**

* OD = Outer diameter (mm)
** With transition from DN 100 to DN 125

xx = Article end numbers for connection sleeve of choice

Discharge rate according in l/s to DIN EN 1253-2

Size DN	Retaining height in mm																			
	5	10	15	20	25	30	35	40	45	50	55	60	65	70	75	80	85	90	95	100
70	0,7	1,8	2,8	3,8	4,7	5,8	6,9	7,9	8,9	10,2	11,5	11,5	11,5	11,5	11,5	11,5	11,5	11,5	11,5	11,5
100	0,5	1,5	2,4	3,4	4,3	5,3	6,3	7,5	8,6	9,8	11,0	11,0	11,0	11,0	11,0	11,0	11,0	11,0	11,0	11,0
125	0,8	1,9	2,9	4,1	5,3	6,3	7,3	8,4	9,4	10,8	12,1	13,2	14,3	14,3	14,3	14,3	14,3	14,3	14,3	14,3

SitaStandard angled heated



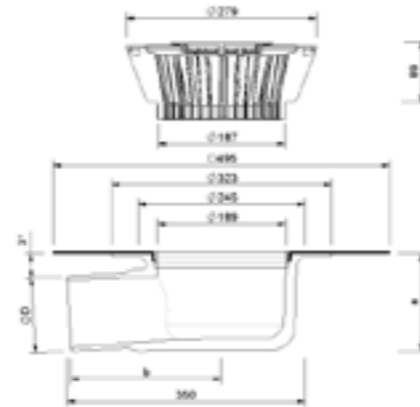
SitaStandard Stepped outlet



Tender text

SitaStandard angled, made of polyurethane, thermally insulated to DIN EN 1253-2 with enhanced quality standard to RAL quality mark GZ-694, in sizes DN 70, DN 100 and DN 125. For direct connection to pipes with plug-in coupler, for conventional drainage, with large foamed-in connection sleeve of choice (495 mm x 495 mm) to suit the roofing membrane and with fixing ring for additional securing of the connection sleeve and to hold the supplied dome grate, with foamed-in heating element to EN 60335-1/2 and 2.0 m cable for connecting direct to 230 V with a heat rating of approx. 10 W, supply and install to professional standards.

Technical drawing



Size DN	OD*	a (mm)	b (mm)	Recess dimension (mm x mm)	Article number
70	75	122	224	250 x 350	10 15 xx
100	110	145	222		10 17 xx
125	125	149	298	250 x 430	10 19 xx**

* OD = Outer diameter (mm)
** With transition from DN 100 to DN 125

xx = Article end numbers for connection sleeve of choice

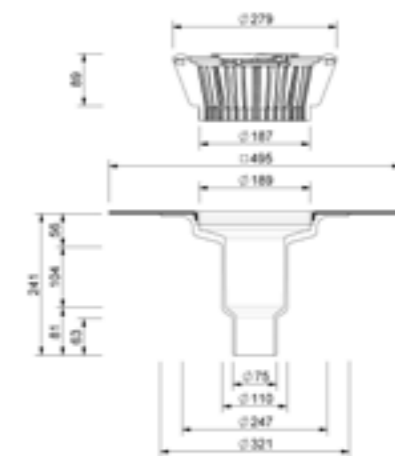
Discharge rate according in l/s to DIN EN 1253-2

Size DN	Retaining height in mm																			
	5	10	15	20	25	30	35	40	45	50	55	60	65	70	75	80	85	90	95	100
70	0,7	1,8	2,8	3,8	4,7	5,8	6,9	7,9	8,9	10,2	11,5	11,5	11,5	11,5	11,5	11,5	11,5	11,5	11,5	11,5
100	0,5	1,5	2,4	3,4	4,3	5,3	6,3	7,5	8,6	9,8	11,0	11,0	11,0	11,0	11,0	11,0	11,0	11,0	11,0	11,0
125	0,8	1,9	2,9	4,1	5,3	6,3	7,3	8,4	9,4	10,8	12,1	13,2	14,3	14,3	14,3	14,3	14,3	14,3	14,3	14,3

Tender text

SitaStandard stepped outlet vertical, made of polyurethane, thermally insulated to DIN EN 1253-2 with enhanced quality standard to RAL quality mark GZ-694, in sizes DN 70 and DN 100. Discharge rate 7.0 l/s and 7.5 l/s at 35 mm retaining height. For direct connection to pipes with plug-in coupler, for conventional drainage, with large foamed-in connection sleeve of choice (495 mm x 495 mm) to suit the roofing membrane and with fixing ring for additional securing of the connection sleeve and to hold the supplied dome grate, supply and install to professional standards.

Technical drawing



Size DN	OD*	Opening/Core borehole (mm)	Article number
70 / 100	75	250	10 30 xx

* OD = Outer diameter (mm)

xx = Article end numbers for connection sleeve of choice

Discharge rate according in l/s to DIN EN 1253-2

Size DN	Retaining height in mm																			
	5	10	15	20	25	30	35	40	45	50	55	60	65	70	75	80	85	90	95	100
70 / 100	0,7	1,8	2,8	4,0	5,2	6,4	7,5	8,7	9,8	11,1	12,4	13,8	15,2	15,2	15,2	15,2	15,2	15,2	15,2	15,2

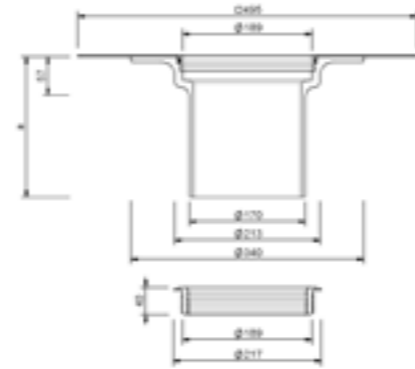
SitaStandard Extension unit



Tender text

SitaStandard extension element, made of polyurethane, to DIN EN 1253-2 with enhanced quality standard to RAL quality mark GZ-694, for insulation thicknesses of 60 mm to 520 mm. With foamed-in connection sleeve of choice (495 mm x 495 mm) to suit the roofing membrane and with securing ring for additional securing of the connection sleeve and for supporting the supplied grate. Complete with lubricant and multi-lip angle sealing ring for backflow protection, supply and install to professional standards.

Technical drawing



a (mm)	Bridging of thermal insulation min. (mm)	Bridging of thermal insulation max. (mm)	Article number
206	60	160	10 25 xx
254	60	220	10 26 xx
555	60	520	10 50 xx

xx = Article end numbers for connection sleeve of choice

SitaMore Retaining element for SitaStandar / SitaMulti



Tender text

SitaMore retaining element for SitaStandard and SitaMulti, made of polyamide, to DIN EN 1253-2, for SitaStandard roof outlets and extension units for emergency drainage, adjustable height of the inlet edges of 25 mm to 105 mm, 135 mm to 150 mm or 150 mm to 200 mm and for SitaMulti roof outlets and extension units for emergency drainage, adjustable height of the inlet edges of 35 mm to 105 mm, 85 mm to 150 mm or 135 mm to 200 mm, with multi-lip angled sealing ring to seal the retaining element against the roof outlet or extension unit. With three infinitely height-adjustable rubber-metal buffers, installation area per foot: 19.6 cm², with galvanised threaded rod M8 x 90 mm, M8 x 140 mm, M8 x 190 mm with bolted sealed cover which can be removed for inspection, housing with 51 surrounding lugs, in yellow signal colour. Retaining heights are infinitely adjustable, with large inlet pot to increase discharge capacity, supply and install to professional standards.

Technical drawing



Compatibility	Damming height from-to (mm)	a (mm)	b (mm)	Article number
SitaStandard, SitaMulti	25-105	115	223	10 90 01
	85-150	214	323	10 90 07
	135-200	214	323	10 90 08

SitaMore Retaining ring



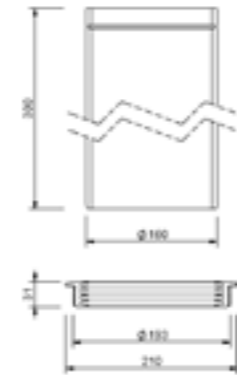
SitaStandard Insulating body for rainwater outlet



Tender text

SitaMore retaining ring for emergency drainage, made of PE-HD for Sitalndra, SitaStandard, SitaMulti roof outlets, length 300 mm, with sealing ring and lubricant, supply and install to professional standards.

Technical drawing

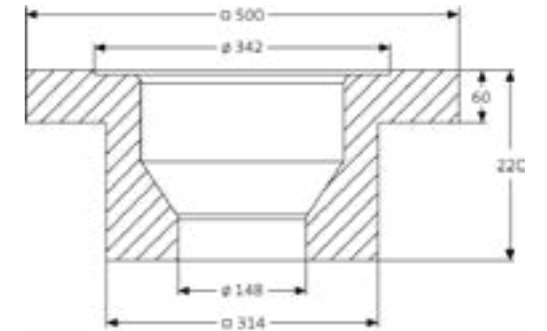


Compatibility	Damming height from-to (mm)	Article number
Sitalndra, SitaStandard, SitaMulti	20-260	10 90 87

Tender text

SitaStandard insulating body for rainwater outlet made of extruded polystyrene foam, WLG 040, 500 mm x 500 mm x 220 mm, fire classification Euroclass E, to EN 13501-1. For thermal insulation and for use as concealed formwork, supply and installation to professional standards.

Technical drawing



Compatibility	Article number
SitaStandard vertical	E 10 90 03

SitaStandard

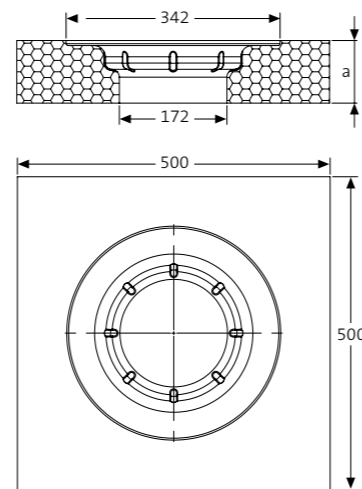
Insulating body for extension element



Tender text

SitaStandard insulating body for extension unit, made of polyurethane, for easy bonding to the vapour barrier, without mechanical fastening of the extension unit by bonding to the insulation body, size 500 mm x 500 mm x 100 mm or 500 mm x 500 mm x 60 mm, thermal conductivity $\lambda=0.025$ W/mK, compressive strength 200 kPa, density approx. 50 kg/m³, as an installation aid and thermal insulation for the prevention of thermal bridges, supply and install to professional standards.

Technical drawing



a (mm)	Article number
100	10 90 05
60	10 90 06

SitaStandard

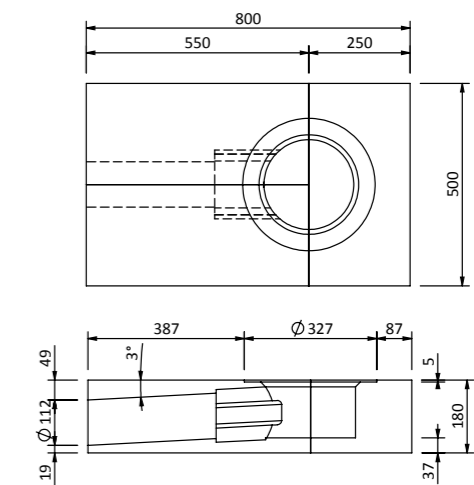
angled insulating body



Tender text

SitaStandard angled insulating body, made of polyurethane with aluminium cover layers, three-part in size 800 mm x 500mm x 180 mm, thermal conductivity $\lambda = 0.023$ W/mK, compressive strength 120 kPa, to aid installation with accurate shaping and for thermal insulation to prevent thermal bridges, supply and install to professional standards.

Technical drawing



Compatibility	Article number
SitaStandard angled DN 100	10 90 09

SitaMore Terrace kit



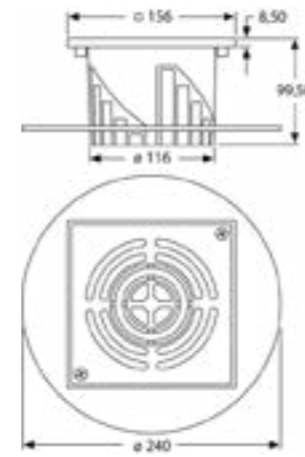
SitaMore Reinforcement plate



Tender text

SitaMore terrace kit, made of aluminium, for roof outlets and extension units with connection sleeve of choice of the SitaStandard, SitaTrendy, SitaIndra, SitaSani® 63, SitaSani® 90, SitaSani® 105 and SitaSani® 165 series. Consisting of height adjustment ring, housing (height-adjustable from 34 mm to 100 mm) and end grate with built-in slots to hold a downpipe in size DN 50 and DN 70, supply and install to professional standards.

Technical drawing

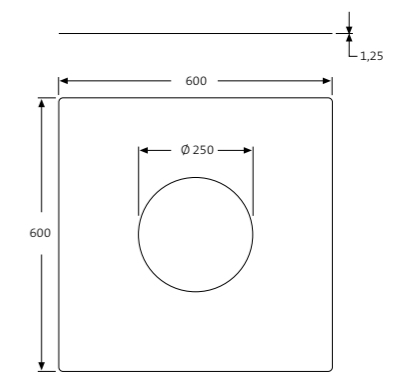


Compatibility	Height adjustment min (mm)	Height setting max (mm)	Article number
SitaStandard, SitaTrendy, SitaIndra, SitaSani® 63, SitaSani® 90, SitaSani® 105, SitaSani® 165	34	100	15 90 60

Tender text

SitaMore reinforcement plate, made of galvanised sheet steel, to reinforce small penetrations in the trapezoidal steel sheet, for SitaDSS Profi, SitaStandard, SitaTrendy, SitaTrendy screw-on flange, SitaVent system vent, SitaCompact, SitaMulti and SitaDSS, supply and install to professional standards.

Technical drawing



Compatibility	Article number
SitaStandard, SitaTrendy, SitaTrendy screw on flange, Sita Multi, SitaDSS Multi, SitaDSS Profi, SitaVent system vent DN 150	10 90 00

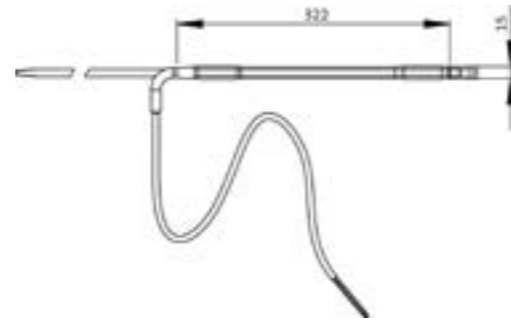
SitaMore Pipe sleeve heating



Tender text

SitaMore pipe sleeve heating, for heating roof outlets and pipes, self-regulating PTC heating element with a heat rating of approx. 10 W at -20 °C and 230 V, with two cable ties for easy securing to pipes or roof outlets. No transformer required, supply and install to professional standards.

Technical drawing



Article number
10 90 35

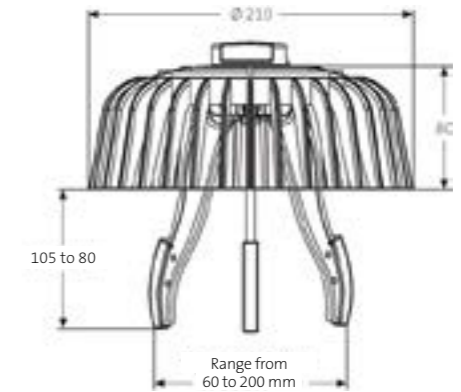
SitaMore Allround dome grate



Tender text

SitaMore dome grate Allround, made of polyamide, for roof outlets with a pot diameter of 60 mm to 200 mm. With expanding feet and rotational function for securing the dome grate in the outlet pot, supply and install to professional standards.

Technical drawing



Compatibility	Article number
For outlets with a pot diameter of 60 mm to 200 mm	E 10 90 04

SitaMore Vapour barrier plate



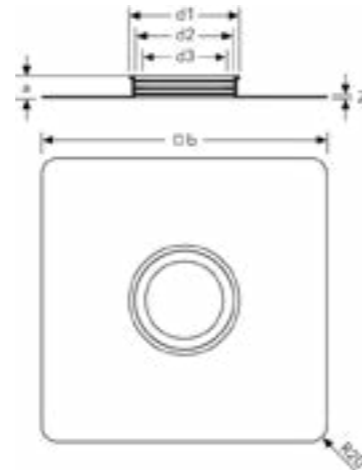
SitaAttika Cladding cover plate



Tender text

SitaMore vapour barrier plate flex, made of EPDM, with adhesive flange for flexible vapour-tight connection of the vapour barrier to round pipes in sizes DN 50, DN 70, DN 100, DN 125 and DN 150, with a multi-lip integrated sealing area, supply and install to professional standards.

Technical drawing

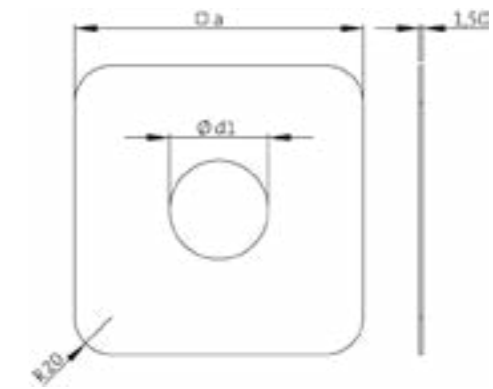


Size DN	a (mm)	b (mm)	d1 (mm)	d2 (mm)	d3 (mm)	Article number
50	27	352	76	62	44	18 50 90
70			105	91	67	18 70 90
100			136	122	96	18 00 90
125	28	400	159	145	119	18 12 90
150			195	181	153	18 60 90

Tender text

SitaAttika cladding cover plate, made of rust-proof stainless steel, material number 1.4301, to cover the parapet or wall opening in sizes DN 50 to DN 200, material thickness 1.5 mm, supply and install to professional standards.

Technical drawing



Size DN	a (mm)	d1 (mm)	Article number
50	155	54	E 18 90 25
70	180	79	E 18 90 26
100	215	114	E 18 90 27
125	230	129	E 18 90 28
150	265	165	E 18 90 29
200	303	203	E 18 90 45

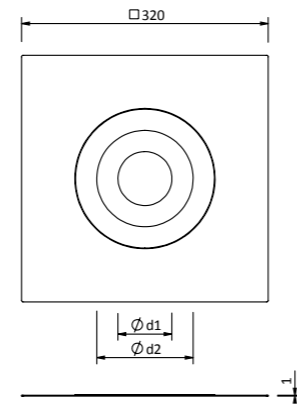
SitaMore Sealing sleeve



Tender text

SitaMore sealing sleeve for WDVS, made of fleece-butyl, one-part render-compatible air sealing sleeve designed to be concealed in plastic, for the rapid and airtight sealing of pipe fairleads in the thermal insulation composite system according to DIN 4108-7 and GEG 2023, in sizes DN 70 and DN 100, measuring 320 mm x 320 mm, with highly flexible EPDM seal, self-adhesive render-compatible fleece butyl collar for permanent bonding to the substrate (adhesion primer may be necessary) and between the fleece bonding surface and the render, supply and install to professional standards.

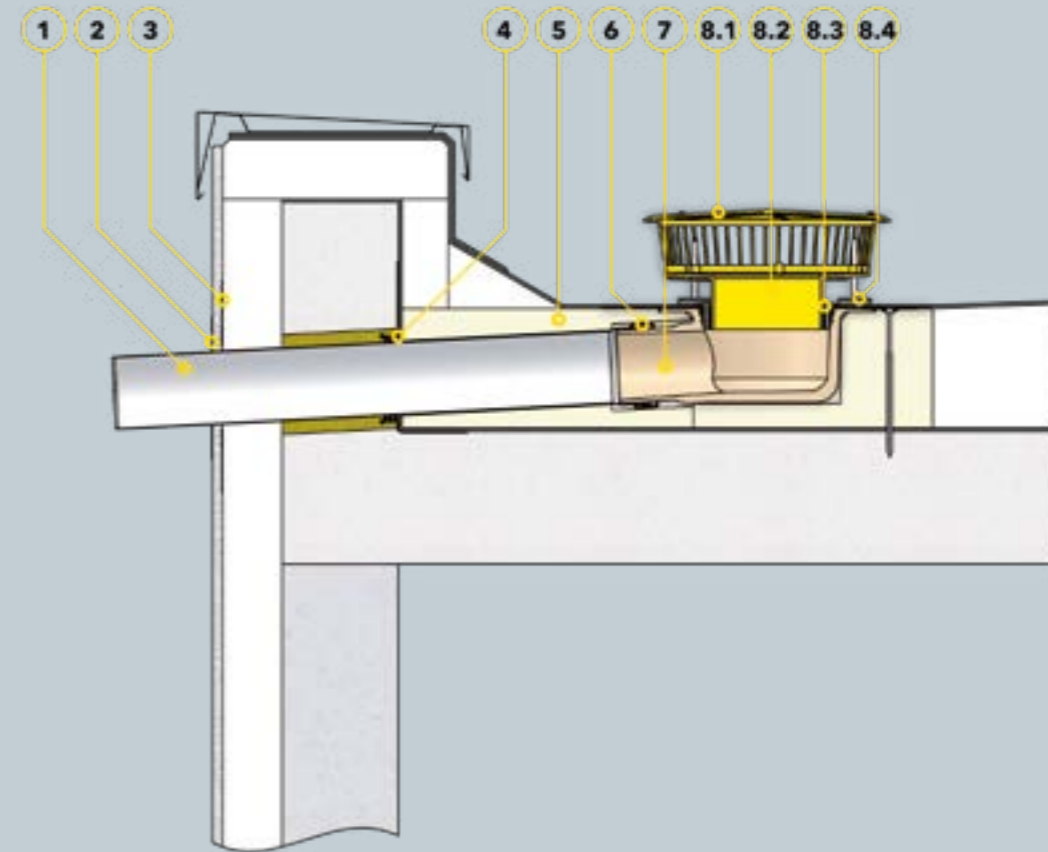
Technical drawing



Size DN	d1 (mm)	d2 (mm)	Article number
70	45	110	18 00 75
100	70	125	18 00 11

SitaStandard

SitaStandard angled for emergency drainage in a non-ventilated roof structure



Components

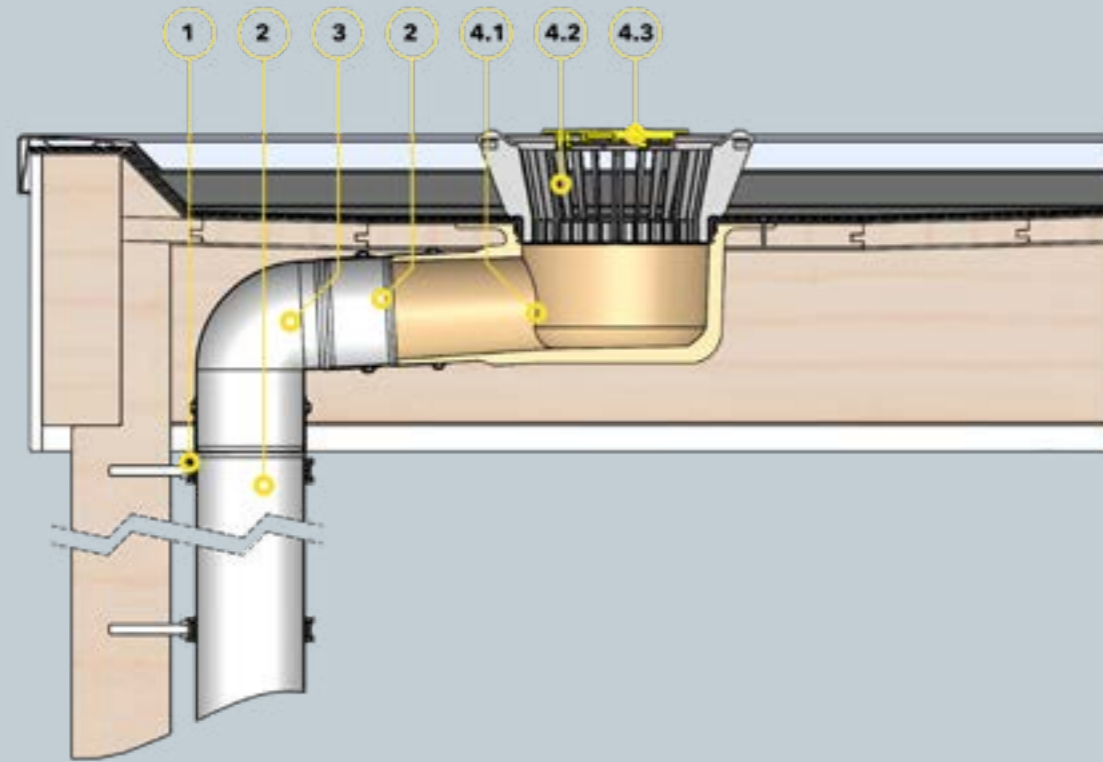
- 1 SitaPipe Stainless Steel pipe
- 2 SitaAttika Cladding cover plate
- 3 SitaMore Sealing sleeve
- 4 SitaMore Vapour barrier plate
- 5 SitaStandard angled insulating body
- 6 SitaPipe Stainless Steel safety clamp

- 7 SitaStandard angled
- SitaMore Retaining consisting of:**
 - 8.1 Cover
 - 8.2 Base body
 - 8.3 Sealing ring
 - 8.4 heightadjustable rubber-metal buffers

Roof structure

Non-ventilated roof structure to the general rules of engineering with:

- + Waterproof membrane
- + Thermal insulation
- + Vapour barrier
- + Substructure



Components

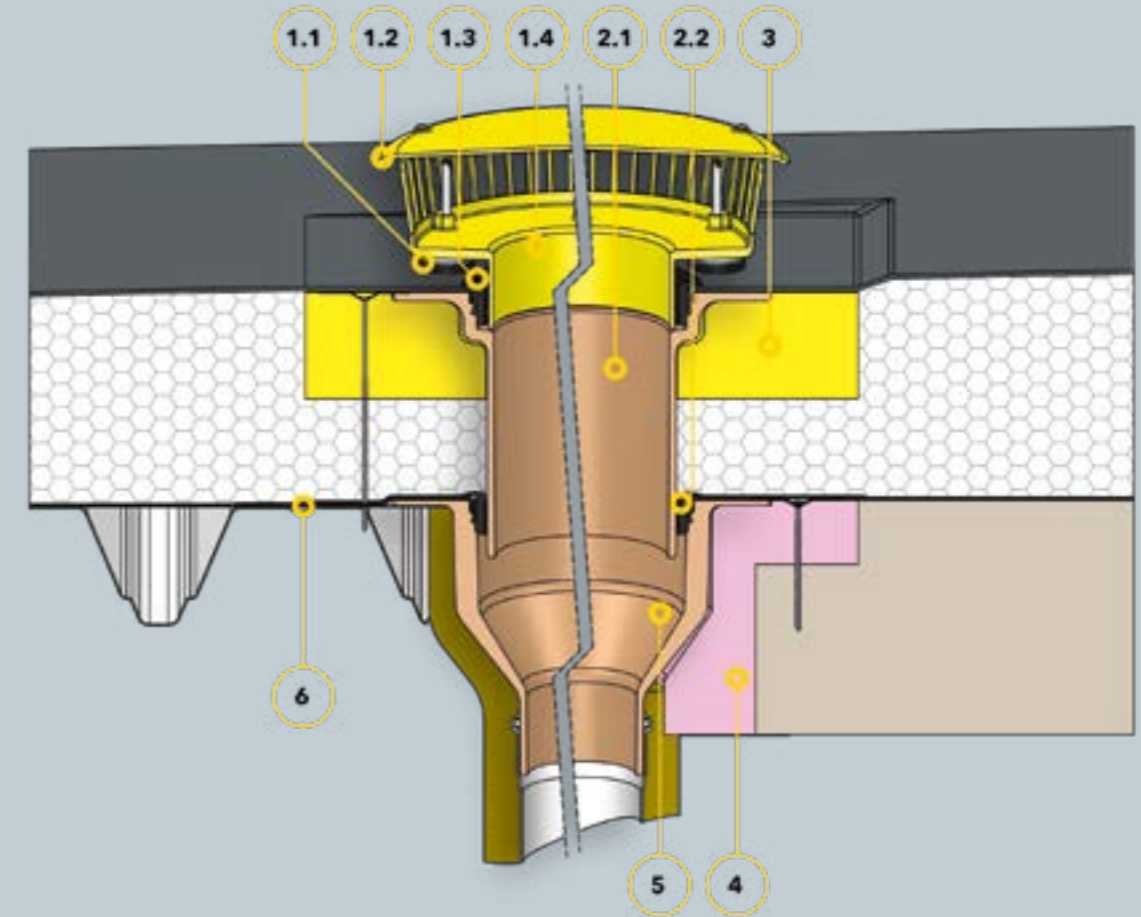
- 1 SitaPipe Stainless Steel safety clamp
- 2 SitaPipe Stainless Steel pipe
- 3 SitaPipe Stainless Steel bend

SitaStandard angled consisting of:

- 4.1 Base body
- 4.2 Dome grate base body
- 4.3 Dome grate cover

Roof structure

Ventilated roof structure to the general rules of engineering with:
 + Waterproof membrane
 + Formwork
 + Substructure



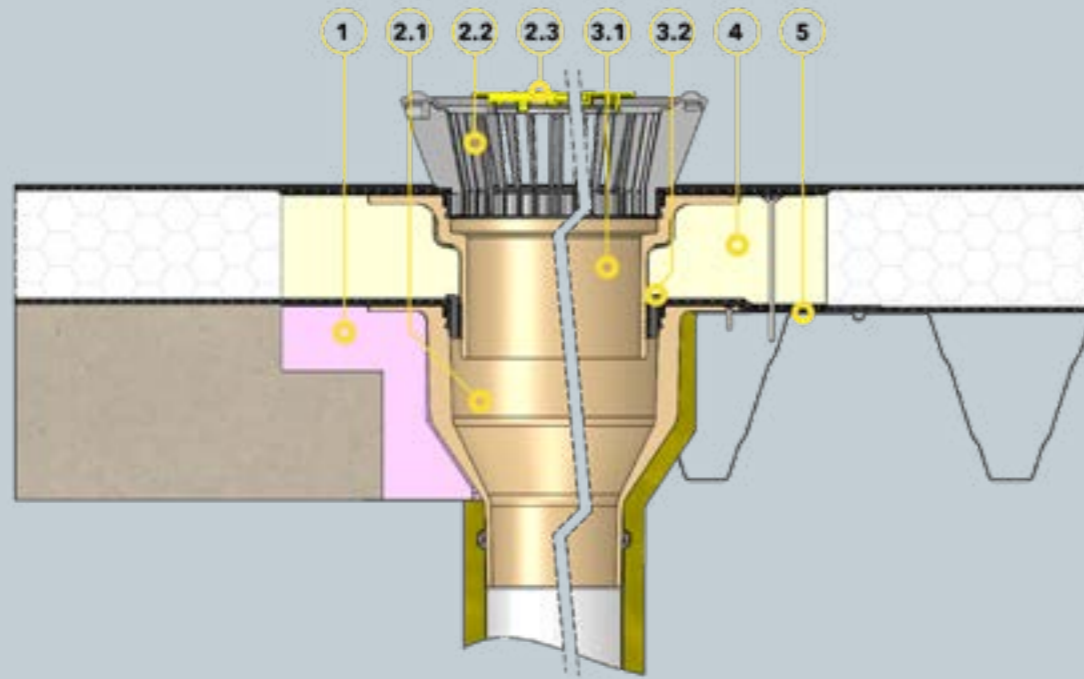
Components

- SitaMore retaining element consisting of:**
- 1.1 Height-adjustable rubber-metal buffers
 - 1.2 Closed cover
 - 1.3 Sealing ring
 - 1.4 Base body
- SitaStandard extension unit consisting of:**
- 2.1 Base body
 - 2.2 Sealing ring

- 3 SitaStandard insulating body for extension unit
- 4 SitaStandard insulating body for outlet
- 5 SitaStandard vertical
- 6 SitaMore reinforcement plate

Roof structure

Non-ventilated roof structure to the general rules of engineering with:
 + Waterproof membrane
 + Thermal insulation
 + Vapour barrier
 + Substructure



Components

1 SitaStandard insulating body for outlet

SitaStandard vertical consisting of:

- 2.1** Base body
- 2.2** Dome grate base body
- 2.3** Dome grate cover

SitaStandard Extension unit consisting of:

- 3.1** Base body
- 3.2** Sealing ring

4 SitaStandard insulating body for extension unit

5 SitaMore reinforcement plate

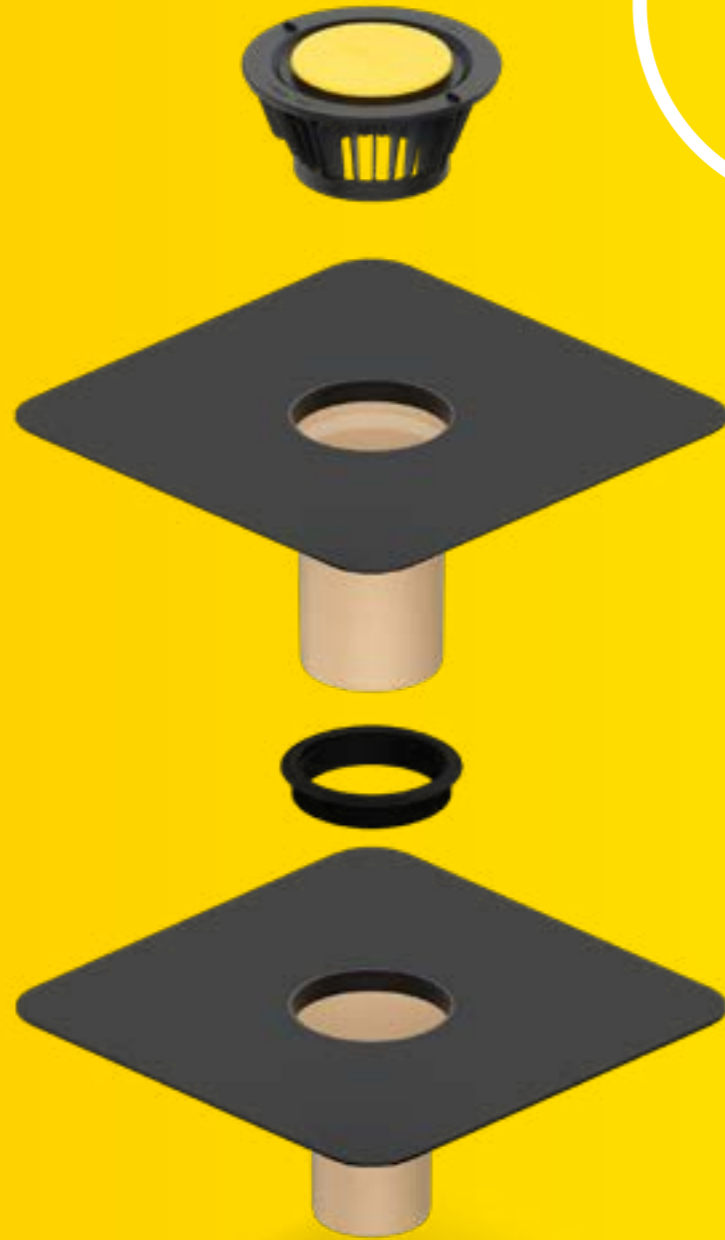
Roof structure

Non-ventilated roof structure to the general rules of engineering with:

- + Waterproof membrane
- + Thermal insulation
- + Vapour barrier
- + Substructure

SitaTrendy
Small. Strong. Flexible.
Fits everywhere every time.

Click here for
the website!



- + Compact design
- + Discharge rate considerably above the requirements of DIN EN 1253-2
- + Also available with foamed-in heating element
- + With foamed-in connection sleeve of choice, screw-on flange or adhesive flange



SitaTrendy
vertical



SitaTrendy
vertical heated



SitaTrendy
angled



SitaTrendy
angled heated



SitaTrendy
Screw-on flange vertical



SitaTrendy
Screw-on flange vertical heated



SitaTrendy
Screw-on flange angled



SitaTrendy
Screw-on flange angled heated



SitaTrendy
Extension unit



SitaTrendy
Screw-on flange
Extension unit



SitaMore
Retaining element for
SitaTrendy/SitaSani



SitaTrendy
Retaining ring



SitaTrendy
Insulating body for
rainwater outlet



SitaTrendy
Insulating body for
extension element



SitaMore
Pipe sleeve heating



SitaMore
Terrace kit



SitaMore
Allround dome grate



SitaMore
Vapour barrier plate



SitaAttika
Cladding cover plate



SitaMore
Reinforcement plate



SitaMore
Sealing sleeve

SitaTrendy

Product features at a glance

Product features

Applications	For main and emergency drainage to DIN EN 12056-3 and DIN 1986-100 for large used and unused flat roofs.
Material	Polyurethane
Connection type	Sleeve Screw-on flange
Design	vertical angled
Model	unheated heated
Temperature resistance, min.	-40 °C
Temperature resistance, max.	80 °C
Material class	Euroclass E / B2 normal flammability
Properties	<ul style="list-style-type: none"> + Thermally insulated + Not sensitive to the weather (UV/IR radiation, rain/snow, temperature, ozone, etc.) + Impact and shock resistant + Durable
Workmanship	The general rules of engineering as well as the installation examples and installation instructions of Sita Bauelemente GmbH form the basis. The installation examples are for illustration purposes only and are a general, non-binding recommendation. The design is shown in schematic form only and does not replace the necessary work, detail and installation planning by the contractor. The customer, planner, contractor, etc. is responsible for checking the suitability, completeness and dimensions for the project and adjusting or tailoring the components to suit local requirements. Neighbouring works are shown in schematic form with no guarantee of their being complete or correct. The technical specifications in the information sheets, workmanship guidelines and system permits must be adhered to.

Quality mark



SitaTrendy

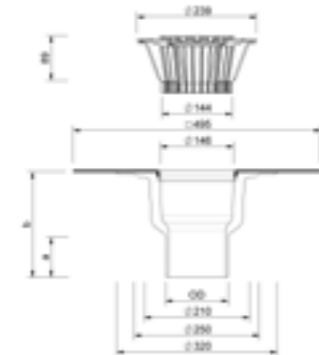
vertical



Tender text

SitaTrendy vertical, made of polyurethane, thermally insulated to DIN EN 1253-2 with enhanced quality standard to RAL quality mark GZ-694, in sizes DN 70, DN 90, DN 100 and DN 125. For direct connection to pipes with plug-in coupler, for conventional drainage, with large connection sleeve of choice (495 mm x 495 mm) to suit the roofing membrane and with fixing ring for additional securing of the connection sleeve and to hold the supplied dome grate, supply and install to professional standards.

Technical drawing



Size DN	OD*	a (mm)	b (mm)	Opening/Core borehole (mm)	Article number
70	75	63	210	250	15 02 xx
90	90	56	125		15 01 xx
100	110	75	210		15 04 xx
125	125	79			15 06 xx

* OD = Outer diameter (mm)

xx = Article end numbers for connection sleeve of choice

Discharge rate according in l/s to DIN EN 1253-2

Size DN	Retaining height in mm																			
	5	10	15	20	25	30	35	40	45	50	55	60	65	70	75	80	85	90	95	100
70	0,6	1,4	2,2	3,1	3,9	4,7	5,5	6,6	7,6	8,6	9,5	10,4	11,3	11,3	11,3	11,3	11,3	11,3	11,3	11,3
90	0,4	1,3	2,1	3,3	4,5	5,5	6,5	7,3	8,0	8,6	9,2	9,2	9,2	9,2	9,2	9,2	9,2	9,2	9,2	9,2
100	0,6	1,5	2,3	3,3	4,3	5,2	6,1	7,3	8,5	9,4	10,3	11,0	11,7	11,7	11,7	11,7	11,7	11,7	11,7	11,7
125	0,7	1,6	2,4	3,3	4,2	5,1	5,9	7,3	8,7	10,1	11,4	12,7	14,0	14,0	14,0	14,0	14,0	14,0	14,0	14,0

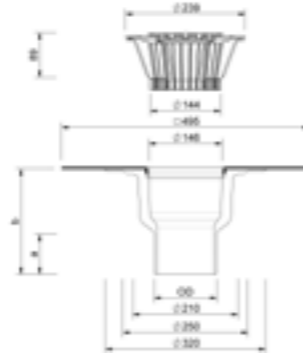
SitaTrendy vertical heated



Tender text

SitaTrendy vertical, made of polyurethane, thermally insulated to DIN EN 1253-2 with enhanced quality standard to RAL quality mark GZ-694, in sizes DN 70, DN 90, DN 100 and DN 125. For direct connection to pipes with plug-in coupler, for conventional drainage, with large connection sleeve of choice (495 mm x 495 mm) to suit the roofing membrane and with fixing ring for additional securing of the connection sleeve and to hold the supplied dome grate, with foamed-in heating element to EN 60335-1/2 and 2.0 m cable for connecting direct to 230 V with a heat rating of approx. 10 W, supply and install to professional standards.

Technical drawing



Size DN	OD*	a (mm)	b (mm)	Opening/Core borehole (mm)	Article number
70	75	63	210	250	15 03 xx
100	110	75			15 05 xx
125	125	79			15 07 xx

* OD = Outer diameter (mm)

xx = Article end numbers for connection sleeve of choice

Discharge rate according in l/s to DIN EN 1253-2

Size DN	Retaining height in mm																			
	5	10	15	20	25	30	35	40	45	50	55	60	65	70	75	80	85	90	95	100
70	0,6	1,4	2,2	3,1	3,9	4,7	5,5	6,6	7,6	8,6	9,5	10,4	11,3	11,3	11,3	11,3	11,3	11,3	11,3	11,3
100	0,6	1,5	2,3	3,3	4,3	5,2	6,1	7,3	8,5	9,4	10,3	11,0	11,7	11,7	11,7	11,7	11,7	11,7	11,7	11,7
125	0,7	1,6	2,4	3,3	4,2	5,1	5,9	7,3	8,7	10,1	11,4	12,7	14,0	14,0	14,0	14,0	14,0	14,0	14,0	14,0

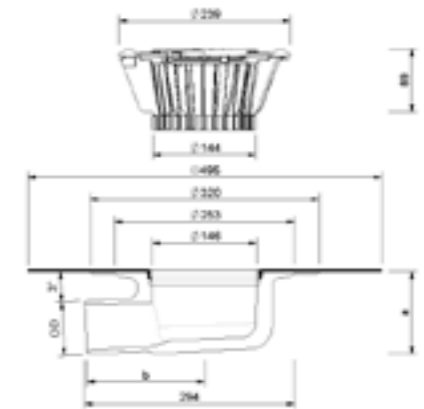
SitaTrendy angled



Tender text

SitaTrendy angled, made of polyurethane, thermally insulated to DIN EN 1253-2 with enhanced quality standard to RAL quality mark GZ-694, in sizes DN 70, DN 100 and DN 125. For direct connection to pipes with plug-in coupler, for conventional drainage, with large connection sleeve of choice (495 mm x 495 mm) to suit the roofing membrane and with fixing ring for additional securing of the connection sleeve and to hold the supplied dome grate, supply and install to professional standards.

Technical drawing



Size DN	OD*	a (mm)	b (mm)	Recess dimension (mm x mm)	Article number
70	75	117	165	250 x 350	15 14 xx
100	110	153	162		15 16 xx
125	125	161	241	250 x 420	15 18 xx**

* OD = Outer diameter (mm)

** With transition from DN 100 to DN 125

xx = Article end numbers for connection sleeve of choice

Discharge rate according in l/s to DIN EN 1253-2

Size DN	Retaining height in mm																			
	5	10	15	20	25	30	35	40	45	50	55	60	65	70	75	80	85	90	95	100
70	0,5	1,1	1,6	2,6	3,5	4,5	5,4	6,5	7,5	8,5	9,5	10,8	12,1	12,1	12,1	12,1	12,1	12,1	12,1	12,1
100	0,5	1,2	1,8	2,7	3,6	4,6	5,6	6,7	7,8	9,0	10,2	11,9	13,5	13,5	13,5	13,5	13,5	13,5	13,5	13,5
125	0,6	1,5	2,4	3,1	3,8	4,8	5,7	6,8	7,9	9,5	11,0	12,4	13,8	13,8	13,8	13,8	13,8	13,8	13,8	13,8

SitaTrendy angled heated



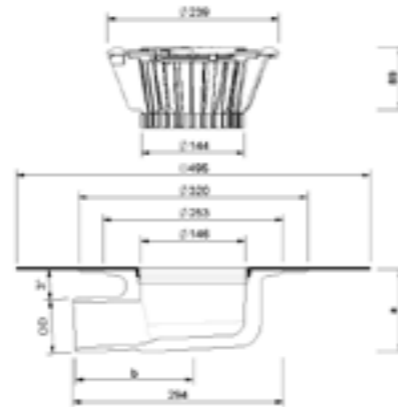
SitaTrendy Screw-on flange vertical



Tender text

SitaTrendy angled, made of polyurethane, thermally insulated to DIN EN 1253-2 with enhanced quality standard to RAL quality mark GZ-694, in sizes DN 70, DN 100 and DN 125. For direct connection to pipes with plug-in coupler, for conventional drainage, with large connection sleeve of choice (495 mm x 495 mm) to suit the roofing membrane and with fixing ring for additional securing of the connection sleeve and to hold the supplied dome grate, with foamed-in heating element to EN 60335-1/2 and 2.0 m cable for connecting direct to 230 V with a heat rating of approx. 10 W, supply and install to professional standards.

Technical drawing



Size DN	OD*	a (mm)	b (mm)	Recess dimension (mm x mm)	Article number
70	75	117	165	250 x 350	15 15 xx
100	110	153	162		15 17 xx
125	125	161	241	250 x 420	15 19 xx**

* OD = Outer diameter (mm)
** With transition from DN 100 to DN 125

xx = Article end numbers for connection sleeve of choice

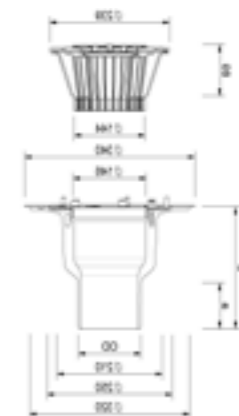
Discharge rate according in l/s to DIN EN 1253-2

Size DN	Retaining height in mm																			
	5	10	15	20	25	30	35	40	45	50	55	60	65	70	75	80	85	90	95	100
70	0,5	1,1	1,6	2,6	3,5	4,5	5,4	6,5	7,5	8,5	9,5	10,8	12,1	12,1	12,1	12,1	12,1	12,1	12,1	12,1
100	0,5	1,2	1,8	2,7	3,6	4,6	5,6	6,7	7,8	9,0	10,2	11,9	13,5	13,5	13,5	13,5	13,5	13,5	13,5	13,5
125	0,6	1,5	2,4	3,1	3,8	4,8	5,7	6,8	7,9	9,5	11,0	12,4	13,8	13,8	13,8	13,8	13,8	13,8	13,8	13,8

Tender text

SitaTrendy screw-on flange vertical, made of polyurethane, thermally insulated to DIN EN 1253-2 with enhanced quality standard to RAL quality mark GZ-694, in sizes DN 70, DN 90, DN 100 and DN 125. For direct connection to pipes with a plug-in coupler, for conventional drainage, with pre-drilled holes for securing the component to the substructure. With foamed-in insert ring for the supplied screws, loose aluminium flange and two sealing sleeves for clamping bitumen, plastic or EPDM roofing membranes, complete including dome grate, supply and install to professional standards.

Technical drawing



Size DN	OD*	a (mm)	b (mm)	Opening/Core borehole (mm)	Article number
70	75	63	210	250	15 02 99
90	90	56	125		15 01 99
100	110	75	210		15 04 99
125	125	79			15 06 99

* OD = Outer diameter (mm)

Discharge rate according in l/s to DIN EN 1253-2

Size DN	Retaining height in mm																			
	5	10	15	20	25	30	35	40	45	50	55	60	65	70	75	80	85	90	95	100
70	0,6	1,4	2,2	3,1	3,9	4,7	5,5	6,6	7,6	8,6	9,5	10,4	11,3	11,3	11,3	11,3	11,3	11,3	11,3	11,3
90	0,4	1,3	2,1	3,3	4,5	5,5	6,5	7,3	8,0	8,6	9,2	9,2	9,2	9,2	9,2	9,2	9,2	9,2	9,2	9,2
100	0,6	1,5	2,3	3,3	4,3	5,2	6,1	7,3	8,5	9,4	10,3	11,0	11,7	11,7	11,7	11,7	11,7	11,7	11,7	11,7
125	0,7	1,6	2,4	3,3	4,2	5,1	5,9	7,3	8,7	10,1	11,4	12,7	14,0	14,0	14,0	14,0	14,0	14,0	14,0	14,0

SitaTrendy

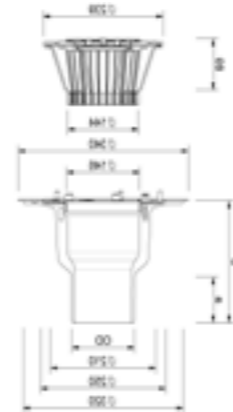
Screw-on flange vertical heated



Tender text

SitaTrendy screw-on flange vertical, made of polyurethane, thermally insulated to DIN EN 1253-2 with enhanced quality standard to RAL quality mark GZ-694, in sizes DN 70, DN 100 and DN 125. For direct connection to pipes with a plug-in coupler, for conventional drainage, with pre-drilled holes for securing the component to the substructure. With foamed-in heating element to EN 60335-1/2 and 2.0 m cable for direct connection to 230 V with a heat rating of approx. 10 W, with foamed-in insert ring for the supplied screws, loose aluminium flange and two sealing sleeves for clamping bitumen, plastic or EPDM roofing membranes, complete including dome grate, supply and install to professional standards.

Technical drawing



Size DN	OD*	a (mm)	b (mm)	Opening/Core borehole (mm)	Article number
70	75	63	210	250	15 03 99
100	110	75			15 05 99
125	125	79			15 07 99

* OD = Outer diameter (mm)

Discharge rate according in l/s to DIN EN 1253-2

Size DN	Retaining height in mm																			
	5	10	15	20	25	30	35	40	45	50	55	60	65	70	75	80	85	90	95	100
70	0,6	1,4	2,2	3,1	3,9	4,7	5,5	6,6	7,6	8,6	9,5	10,4	11,3	11,3	11,3	11,3	11,3	11,3	11,3	11,3
100	0,6	1,5	2,3	3,3	4,3	5,2	6,1	7,3	8,5	9,4	10,3	11,0	11,7	11,7	11,7	11,7	11,7	11,7	11,7	11,7
125	0,7	1,6	2,4	3,3	4,2	5,1	5,9	7,3	8,7	10,1	11,4	12,7	14,0	14,0	14,0	14,0	14,0	14,0	14,0	14,0

SitaTrendy

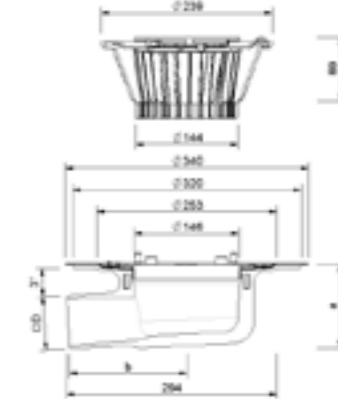
Screw-on flange angled



Tender text

SitaTrendy screw-on flange angled, made of polyurethane, thermally insulated to DIN EN 1253-2 with enhanced quality standard to RAL quality mark GZ-694, in sizes DN 70, DN 100 and DN 125. For direct connection to pipes with a plug-in coupler, for conventional drainage, with pre-drilled holes for securing the component to the substructure. With foamed-in insert ring for the supplied screws, loose aluminium flange and two sealing sleeves for clamping bitumen, plastic or EPDM roofing membranes, complete including dome grate, supply and install to professional standards.

Technical drawing



Size DN	OD*	a (mm)	b (mm)	Recess dimension (mm x mm)	Article number
70	75	117	165	250 x 350	15 14 99
100	110	153	162		15 16 99
125	125	161	241	250 x 420	15 18 99**

* OD = Outer diameter (mm)

Discharge rate according in l/s to DIN EN 1253-2

Size DN	Retaining height in mm																			
	5	10	15	20	25	30	35	40	45	50	55	60	65	70	75	80	85	90	95	100
70	0,5	1,1	1,6	2,6	3,5	4,5	5,4	6,5	7,5	8,5	9,5	10,8	12,1	12,1	12,1	12,1	12,1	12,1	12,1	12,1
100	0,5	1,2	1,8	2,7	3,6	4,6	5,6	6,7	7,8	9,0	10,2	11,9	13,5	13,5	13,5	13,5	13,5	13,5	13,5	13,5
125	0,6	1,5	2,4	3,1	3,8	4,8	5,7	6,8	7,9	9,5	11,0	12,4	13,8	13,8	13,8	13,8	13,8	13,8	13,8	13,8

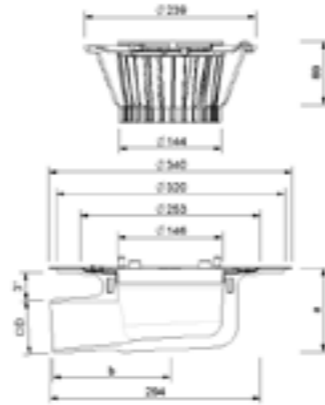
SitaTrendy Screw-on flange angled heated



Tender text

SitaTrendy screw-on flange angled, made of polyurethane, thermally insulated to DIN EN 1253-2 with enhanced quality standard to RAL quality mark GZ-694, in sizes DN 70, DN 100 and DN 125. For direct connection to pipes with a plug-in coupler, for conventional drainage, with pre-drilled holes for securing the component to the substructure. With foamed-in heating element to EN 60335-1/2 and 2.0 m cable for direct connection to 230 V with a heat rating of approx. 10 W, with foamed-in insert ring for the supplied screws, loose aluminium flange and two sealing sleeves for clamping bitumen, plastic or EPDM roofing membranes, complete including dome grate, supply and install to professional standards.

Technical drawing



Size DN	OD*	a (mm)	b (mm)	Recess dimension (mm x mm)	Article number
70	75	117	165	250 x 350	15 15 99
100	110	153	162		15 17 99
125	125	161	241	250 x 420	15 19 99**

* OD = Outer diameter (mm)

Discharge rate according in l/s to DIN EN 1253-2

DN	Retaining height in mm												
	5	10	15	20	25	30	35	40	45	50	55	60	65
70	0.5	1.1	1.6	2.6	3.5	4.5	5.4	6.5	7.5	8.5	9.5	10.8	12.1
100	0.5	1.2	1.8	2.7	3.6	4.6	5.6	6.7	7.8	9.0	10.2	11.9	13.5
125	0.6	1.5	2.4	3.1	3.8	4.8	5.7	6.8	7.9	9.5	11.0	12.4	13.8

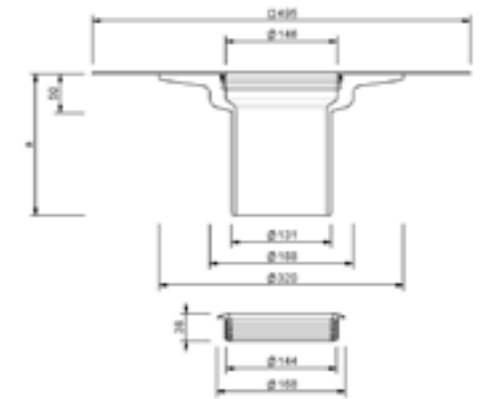
SitaTrendy Extension unit



Tender text

SitaTrendy extension unit, made of polyurethane, to DIN EN 1253-2 with enhanced quality standard to RAL quality mark GZ-694, thermally insulated, for insulation thicknesses of 60 mm to 320 mm. With large foamed-in connection sleeve of choice (495 mm x 495 mm) to suit the roofing membrane and with securing ring for additional securing of the connection sleeve. Complete including multi-lip angled sealing ring for backflow protection, supply and install to professional standards.

Technical drawing



a (mm)	Bridging of thermal insulation min. (mm)	Bridging of thermal insulation max. (mm)	Article number
185	60	150	15 25 xx
255		220	15 26 xx
355		320	15 27 xx

xx = Article end numbers for connection sleeve of choice

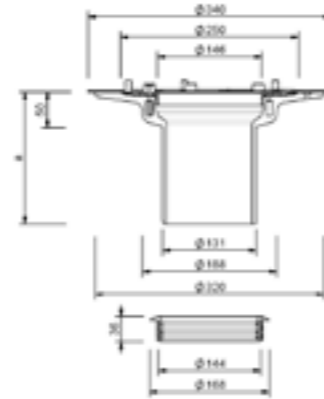
SitaTrendy Screw-on flange Extension unit



Tender text

SitaTrendy screw-on flange extension unit, made of polyurethane, to DIN EN 1253-2 with enhanced quality standard to RAL quality mark GZ-694, for installation thicknesses from 60-320 mm, with ready-made drill holes to secure the component in the substructure. With foamed-in insert ring for the supplied screws, loose aluminium flange and two sealing sleeves for clamping bitumen, plastic or EPDM roofing membranes, complete including dome grate, supply and installation to professional standards.

Technical drawing



a (mm)	Bridging of thermal insulation min. (mm)	Bridging of thermal insulation max. (mm)	Article number
185	60	150	15 25 99
255		220	15 26 99
355		320	15 27 99

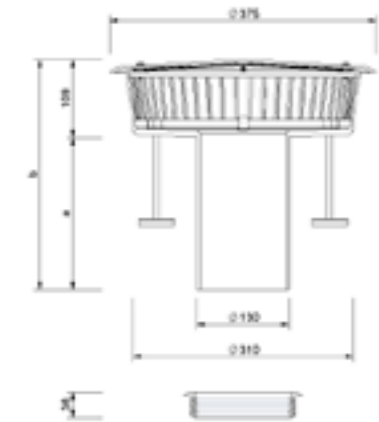
SitaMore Retaining element for SitaTrendy/SitaSani



Tender text

SitaMore retaining element for SitaTrendy and SitaSani®, made of polyamide, according to DIN EN 1253-2 with enhanced quality standard according to RAL quality mark GZ-694, for SitaTrendy, SitaTrendy screw-on-flange, SitaSani® 63, SitaSani® 90, SitaSani® 105 and SitaSani® 165 for emergency drainage with multi-lip angled sealing ring for sealing the retaining element for the roof outlet or extension unit. With three infinitely height-adjustable rubber-metal buffers, installation area per foot: 19.6 cm², with galvanised threaded rod M 8 mm x 90 mm, with bolted sealed cover which can be removed for inspection, housing with 51 surrounding lugs, in yellow signal colour. Retaining heights are infinitely adjustable from 25 - 105 mm, with large inlet pot to increase discharge capacity, supply and install to professional standards.

Technical drawing



Compatibility	Damming height from-to (mm)	a (mm)	b (mm)	Article number
SitaTrendy, SitaSani® 63, SitaSani® 90, SitaSani® 105, SitaSani® 165	25-105	115	223	15 90 01
	85-150	214	323	15 90 07
	135-200	214	323	15 90 08

SitaTrendy Retaining ring



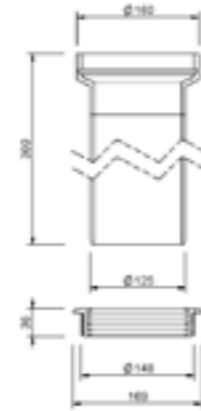
SitaTrendy Insulating body for rainwater outlet



Tender text

SitaTrendy retaining ring for emergency drainage, made of PE-HD for SitaTrendy and SitaTrendy screw-on flange roof outlets and extension units, length 300 mm, with sealing ring and lubricant, supply and install to professional standards.

Technical drawing

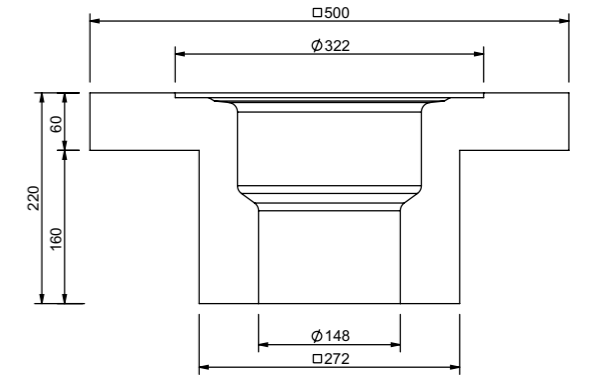


Compatibility	Damming height from-to (mm)	Article number
SitaTrendy, SitaSani 63,90,105,165	85-260	15 90 85

Tender text

SitaTrendy insulating body for rainwater outlet made of extruded polystyrene foam, WLG 040, 500 mm x 500 mm x 220 mm, fire classification Euroclass E, to EN 13501-1. For thermal insulation and for use as concealed formwork, supply and installation to professional standards.

Technical drawing



Compatibility	Article number
SitaTrendy vertical	E 15 90 03

SitaTrendy

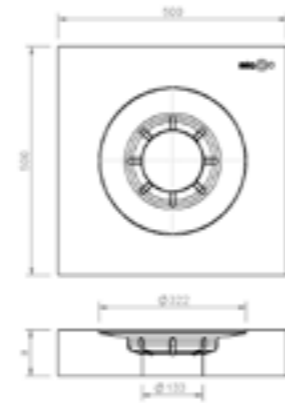
Insulating body for extension element



Tender text

SitaTrendy insulating body for extension unit, made of polyurethane, for easy bonding to the vapour barrier, without mechanical fastening of the extension unit by bonding to the insulation body, size 500 x 500 x 100 mm or 500 x 500 x 60 mm, thermal conductivity $\lambda=0.025$ W/mK, compressive strength 200 kPa, density approx. 50 kg/m³, as an installation aid and thermal insulation for the prevention of thermal bridges, supply and install to professional standards.

Technical drawing



a (mm)	Article number
100	15 90 05
60	15 90 06

SitaMore

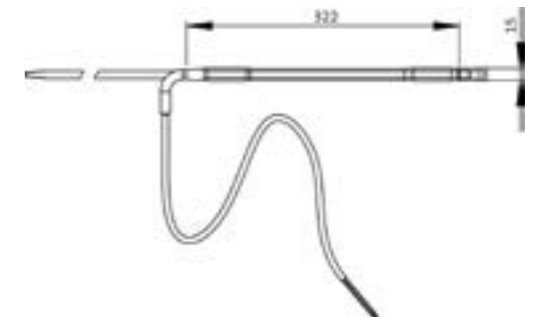
Pipe sleeve heating



Tender text

SitaMore pipe sleeve heating, for heating roof outlets and pipes, self-regulating PTC heating element with a heat rating of approx. 10 W at -20 °C and 230 V, with two cable ties for easy securing to pipes or roof outlets. No transformer required, supply and install to professional standards.

Technical drawing



Article number
10 90 35

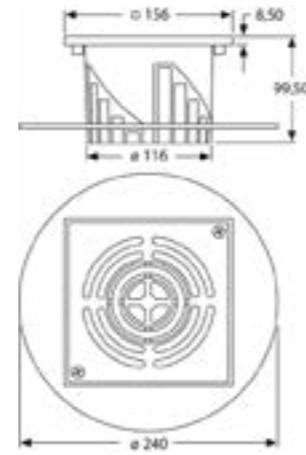
SitaMore Terrace kit



Tender text

SitaMore terrace kit, made of aluminium, for roof outlets and extension units with connection sleeve of choice of the SitaStandard, SitaTrendy, SitaIndra, SitaSani® 63, SitaSani® 90, SitaSani® 105 and SitaSani® 165 series. Consisting of height adjustment ring, housing (height-adjustable from 34 mm to 100 mm) and end grate with built-in slots to hold a downpipe in size DN 50 and DN 70, supply and install to professional standards.

Technical drawing



Compatibility	Height adjustment min (mm)	Height setting max (mm)	Article number
SitaStandard, SitaTrendy, SitaIndra, SitaSani® 63, SitaSani® 90, SitaSani® 105, SitaSani® 165	34	100	15 90 60

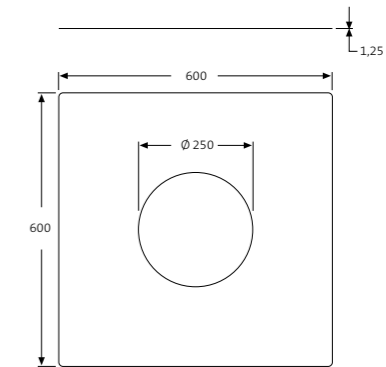
SitaMore Reinforcement plate



Tender text

SitaMore reinforcement plate, made of galvanised sheet steel, to reinforce small penetrations in the trapezoidal steel sheet, for SitaDSS Profi, SitaStandard, SitaTrendy, SitaTrendy screw-on flange, SitaVent system vent, SitaCompact, SitaMulti and SitaDSS, supply and install to professional standards.

Technical drawing



Compatibility	Article number
SitaStandard, SitaTrendy, SitaTrendy screw on flange, Sita Multi, SitaDSS Multi, SitaDSS Profi, SitaVent system vent DN 150	10 90 00

SitaMore

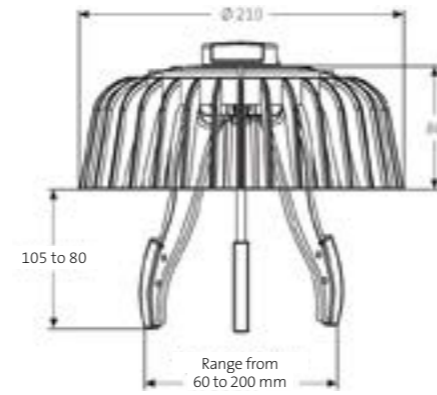
Allround dome grate



Tender text

SitaMore dome grate Allround, made of polyamide, for roof outlets with a pot diameter of 60 mm to 200 mm. With expanding feet and rotational function for securing the dome grate in the outlet pot, supply and install to professional standards.

Technical drawing



Compatibility	Article number
For outlets with a pot diameter of 60 mm to 200 mm	E 10 90 04

SitaMore

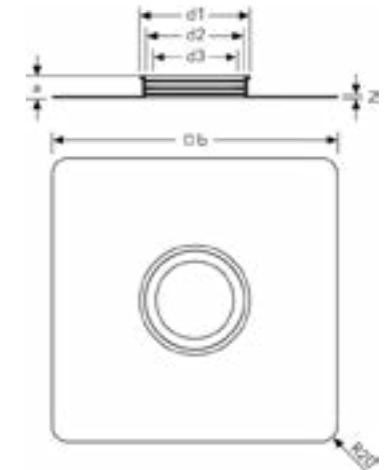
Vapour barrier plate



Tender text

SitaMore vapour barrier plate flex, made of EPDM, with adhesive flange for flexible vapour-tight connection of the vapour barrier to round pipes in sizes DN 50, DN 70, DN 100, DN 125 and DN 150, with a multi-lip integrated sealing area, supply and install to professional standards.

Technical drawing



Size DN	a (mm)	b (mm)	d1 (mm)	d2 (mm)	d3 (mm)	Article number
50	27	352	76	62	44	18 50 90
70			105	91	67	18 70 90
100			136	122	96	18 00 90
125	28	400	159	145	119	18 12 90
150			195	181	153	18 60 90

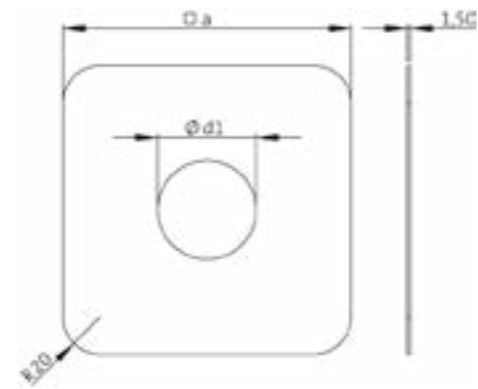
SitaAttika Cladding cover plate



Tender text

SitaAttika cladding cover plate, made of rust-proof stainless steel, material number 1.4301, to cover the parapet or wall opening in sizes DN 50 to DN 200, material thickness 1.5 mm, supply and install to professional standards.

Technical drawing



Size DN	a (mm)	d1 (mm)	Article number
50	155	54	E 18 90 25
70	180	79	E 18 90 26
100	215	114	E 18 90 27
125	230	129	E 18 90 28
150	265	165	E 18 90 29
200	303	203	E 18 90 45

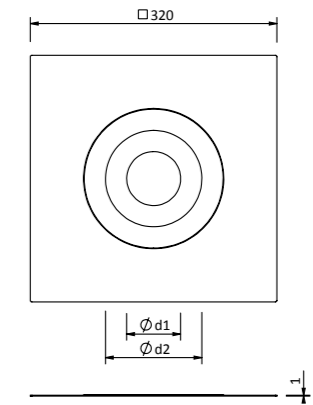
SitaMore Sealing sleeve



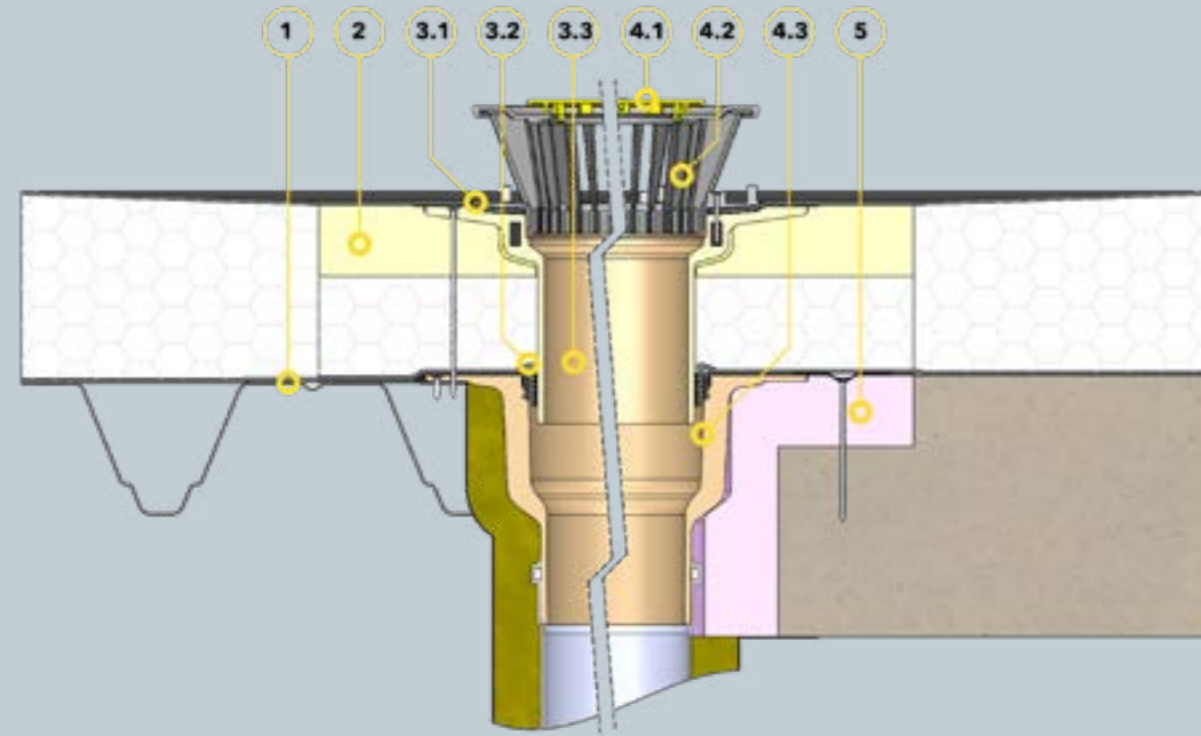
Tender text

SitaMore sealing sleeve for WDVS, made of fleece-butyl, one-part render-compatible air sealing sleeve designed to be concealed in plastic, for the rapid and airtight sealing of pipe fairleads in the thermal insulation composite system according to DIN 4108-7 and GEG 2023, in sizes DN 70 and DN 100, measuring 320 mm x 320 mm, with highly flexible EPDM seal, self-adhesive render-compatible fleece butyl collar for permanent bonding to the substrate (adhesion primer may be necessary) and between the fleece bonding surface and the render, supply and install to professional standards.

Technical drawing



Size DN	d1 (mm)	d2 (mm)	Article number
70	45	110	18 00 75
100	70	125	18 00 11



Components

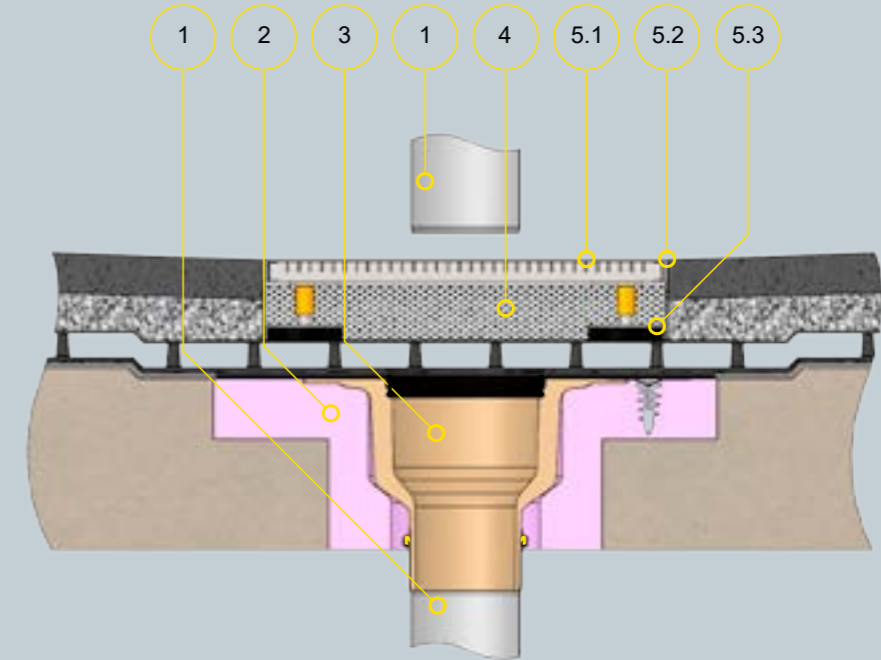
- 1 SitaMore reinforcement plate
 - 2 SitaTrendy insulating body for extension element
- SitaTrendy on flange extension unit consisting of:**
- 3.1 Sealing sleeves und flange
 - 3.2 Sealing ring

- 3.3 Base body
- SitaTrendy vertical consisting of:**
- 4.1 Dome grate cover
 - 4.2 Dome grate base body
 - 4.3 Base body
 - 5 SitaTrendy insulating body for outlet

Roof structure

Non-ventilated roof structure to the general rules of engineering with:

- + Waterproof membrane
- + Thermal insulation
- + Vapour barrier
- + Substructure



Components

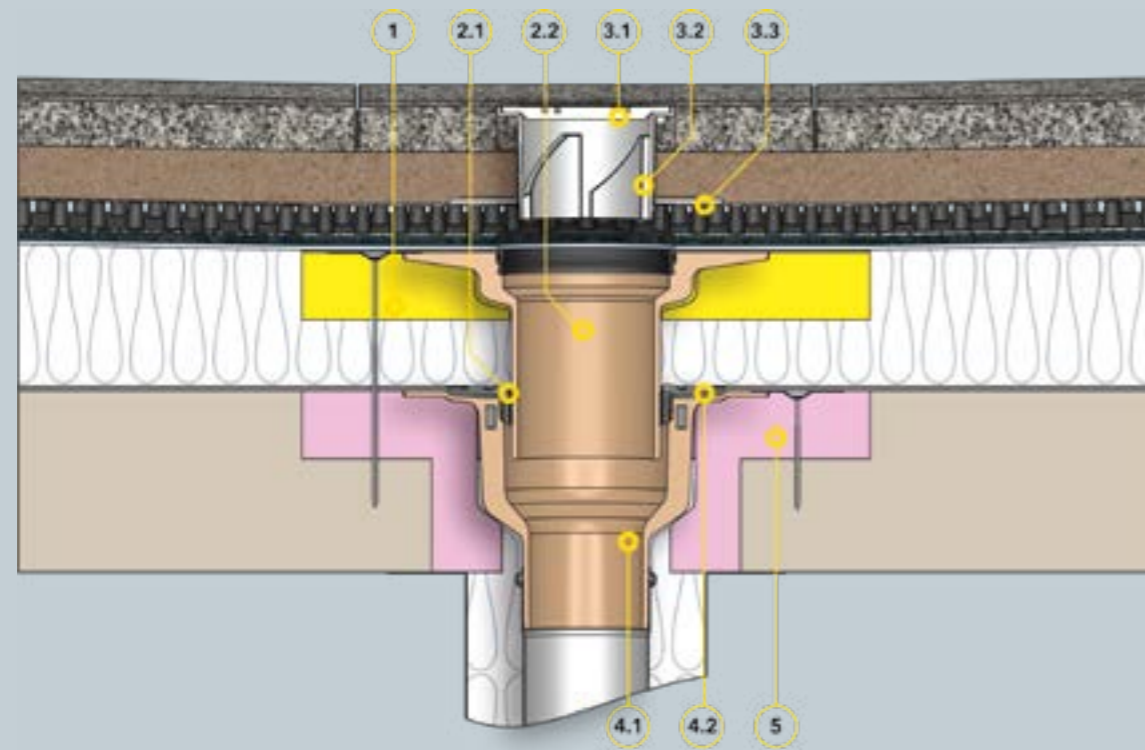
- 1 SitaPipe stainless steel pipe
- 2 SitaTrendy insulating body for outlet
- 3 SitaTrendy vertical
- 4 SitaDrain gravel strip

- SitaDrain® Terra bestehend aus:**
- 5.1 Inspection grate
 - 5.2 Grating frame
 - 5.3 heightadjustable rubber-metal buffers

Roof structure

Ventilated roof structure with slab paving in gravel bed to the general rules of engineering with:

- + Slab paving
- + Grit or gravel bed
- + Drainage mat
- + Waterproof membrane
- + Substructure



Components

1 SitaTrendy insulating body for extension unit

SitaTrendy extension unit consisting of:

- 2.1** Sealing ring
- 2.2** Base body

SitaMore terrace kit consisting of:

- 3.1** End grate

3.2 Housing

3.3 Height adjustment ring

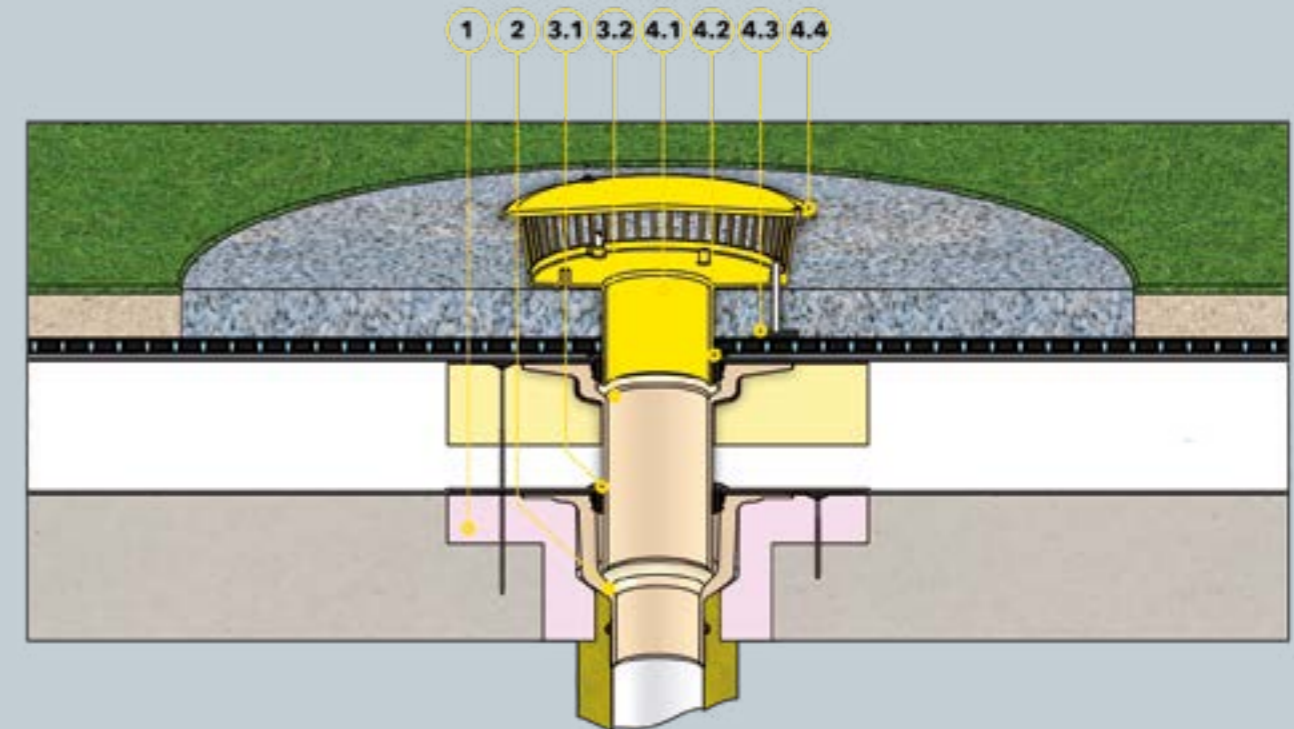
SitaTrendy screw-on flange vertical consisting of:

- 4.1** Base body
- 4.2** Loose flange, seals and screws
- 5** SitaTrendy insulating body for outlet

Roof structure

Non-ventilated roof structure with slab paving in gravel bed to the general rules of engineering with:

- + Slab paving
- + Grit or gravel bed
- + Drainage mat
- + Protective mat
- + Sealing
- + Thermal insulation
- + Vapour barrier
- + Substructure



Components

1 SitaTrendy insulating body for outlet

2 SitaTrendy vertical

SitaTrendy extension unit consisting of:

- 3.1** Sealing ring
- 3.2** Base body

SitaMore extension unit consisting of:

- 4.1** Base body
- 4.2** Sealing ring
- 4.3** heightadjustable rubber-metal buffers
- 4.4** Closed Cover

Roof structure

Non-ventilated roof structure with extensive greenery to the general rules of engineering with:

- + Extensive roof greenery with vegetation layer according to system supplier
- + Protection, drain and filter layer according to system supplier
- + Sealing
- + Thermal insulation
- + Vapour barrier
- + Substructure

SitaMulti
 Suitable for versatile use.
 Uniquely resistant.



- + Non-combustible
- + Loose/fixed flange construction
- + Available with insulation bodies
- + High discharge rate
- + Sizes up to DN 150



SitaMulti

Product features at a glance

Product features

Applications	For main and emergency drainage to DIN EN 12056-3 and DIN 1986-100 and for preventive fire protection with large used and unused flat and slightly pitched roofs
Material	Cast iron
Design	Vertical
Temperature resistance, min.	-20 °C
Material class	Euroclass A1 /A1 non-flammable
Properties	<ul style="list-style-type: none"> + Not sensitive to the weather (UV/IR radiation, rain/snow, temperature, ozone, etc.) + Impact and shock resistant + Durable + Low noise + Universal for any seal
Workmanship	The general rules of engineering as well as the installation examples and installation instructions of Sita Bauelemente GmbH form the basis. The installation examples are for illustration purposes only and are a general, non-binding recommendation. The design is shown in schematic form only and does not replace the necessary work, detail and installation planning by the contractor. The customer, planner, contractor, etc. is responsible for checking the suitability, completeness and dimensions for the project and adjusting or tailoring the components to suit local requirements. Neighbouring works are shown in schematic form with no guarantee of their being complete or correct. The technical specifications in the information sheets, workmanship guidelines and system permits must be adhered to.

Quality mark



SitaMulti

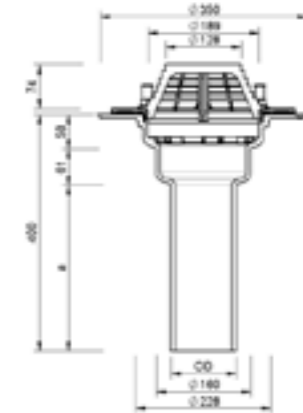
Screw-on flange vertical



Tender text

SitaMulti roof outlet, vertical, made of cast iron, material EN-GJL-200, to DIN EN 1253-2 with enhanced quality standard to RAL quality mark GZ-694, in sizes DN 80, DN 100, DN 125 and DN 150. For direct connection to SML pipes, for conventional drainage, with internal struts to hold the grating frame with boreholes for securing the roof outlet in the sub-structure, with weepholes, two sealing sleeves, six stainless steel secured threaded rods M12, washers, brass hexagonal nuts and caps with loose-fixed flange for clamping bitumen, plastic or EPDM roofing membranes, complete including dome grate, supply and install to professional standards.

Technical drawing



Size DN	OD*	a (mm)	Opening/Core borehole (mm)	Article number
80	83	277	250	40 03 99
100	110	280		40 04 99
125	135	286		40 06 99
150	160	343		40 08 99

* OD = Outer diameter (mm)

Discharge rate according in l/s to DIN EN 1253-2

Size DN	Retaining height in mm																			
	5	10	15	20	25	30	35	40	45	50	55	60	65	70	75	80	85	90	95	100
80	0,5	1,4	2,2	3,3	4,4	5,6	6,7	8,0	9,3	10,7	12,0	13,4	14,7	14,7	14,7	14,7	14,7	14,7	14,7	14,7
100	0,8	1,8	2,7	4,1	5,4	6,6	7,7	8,9	10,1	11,3	12,5	13,9	15,2	15,2	15,2	15,2	15,2	15,2	15,2	15,2
125	0,5	1,4	2,2	3,3	4,4	5,6	6,8	7,9	9,0	10,4	11,8	13,2	14,5	14,5	14,5	14,5	14,5	14,5	14,5	14,5
150	0,5	1,1	1,7	2,8	3,9	5,1	6,2	7,5	8,7	10,2	11,6	13,1	14,6	14,6	14,6	14,6	14,6	14,6	14,6	14,6

SitaMulti

Screw-on flange

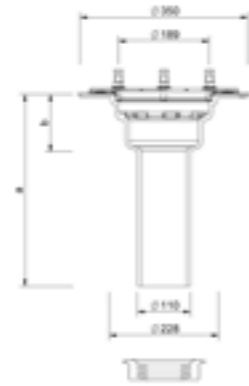
Extension unit



Tender text

SitaMulti extension unit, made of cast iron, material EN-GJL-200, to DIN EN 1253-2 with enhanced quality standard to RAL quality mark GZ-694, for SitaMulti roof outlet. With drilled holes to secure the extension unit in the sub-structure, with weepholes, two sealing sleeves, six inserted stainless steel threaded rods M12, washers, brass hexagon screws and caps, with loose-fixed flange for clamping bitumen, plastic or EPDM roofing membranes, complete including multi-lip angled sealing ring for backflow protection, supply and install to professional standards.

Technical drawing



a (mm)	b (mm)	Bridging of thermal insulation min. (mm)	Bridging of thermal insulation max. (mm)	Article number
400	119	80	300	40 27 99

* OD = Outer diameter (mm)

SitaMulti

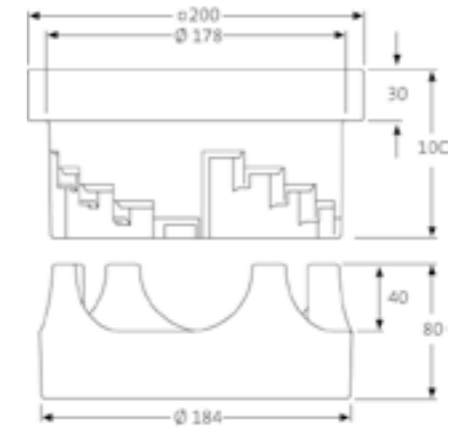
Grating frame



Tender text

SitaMulti grating frame, made of cast iron, material EN-GJS-500-7, consisting of the frame, support ring and bolted end grate, classification M125. To reduce the loads over the SitaMulti roof outlet and the SitaMulti extension unit in the support structure, for a height adjustment from 90 mm to 130 mm. Supply and install to professional standards.

Technical drawing



height adjustment (mm)	Article number
90-130	11 90 60

SitaMulti

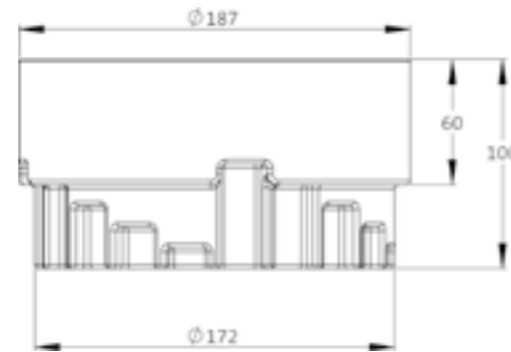
Height compensation piece



Tender text

SitaMulti height compensation piece, made of cast iron, material EN-GJL-500-7, for additional height adjustment for the SitaMulti grating frame, supply and install to professional standards.

Technical drawing



height adjustment (mm)	Article number
140-220	E 11 90 66

SitaMore

Retaining element for SitaStandard / SitaMulti



Tender text

SitaMore retaining element for SitaStandard and SitaMulti, made of polyamide, to DIN EN 1253-2 with enhanced quality standard to RAL quality mark GZ-694, for SitaStandard roof outlets and extension units, for emergency drainage, for retaining heights of 25 mm to 105 mm and for SitaMulti roof outlets and extension units for emergency drainage, for retaining heights of 35-105 mm, with multi-lip angled sealing ring to seal the retaining element against the roof outlet or extension unit. With three infinitely height-adjustable rubber-metal buffers, installation area per foot: 19.6 cm², with galvanised threaded rod M8 x 90 mm, with bolted sealed cover which can be removed for inspection, housing with 51 surrounding lugs, in yellow signal colour. Retaining heights are infinitely adjustable, with large inlet pot to increase discharge capacity, supply and install to professional standards.

Technical drawing



Compatibility	Damming height from-to (mm)	a (mm)	b (mm)	Article number
SitaStandard, SitaMulti	25-105	115	223	10 90 01
	85-150	214	323	10 90 07
	135-200	214	323	10 90 08

SitaMore Retaining ring



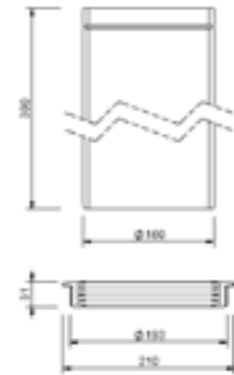
SitaMulti Insulating body for rainwater outlet



Tender text

SitaMore retaining ring for emergency drainage, made of PE-HD for SitaIndra, SitaStandard, SitaMulti roof outlets, length 300 mm, with sealing ring and lubricant, supply and install to professional standards.

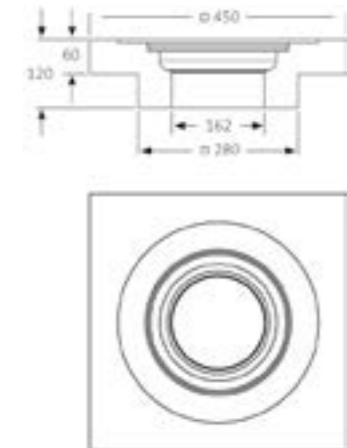
Technical drawing



Tender text

SitaMulti insulating body for outlet, made of foam glass, WLG 050. For thermal insulation of the SitaMulti roof outlet in the concrete ceiling, height 120 mm, can be used as concealed formwork for concreting, supply and installation to professional standards.

Technical drawing



Compatibility	Damming height from-to (mm)	Article number
SitaIndra, SitaStandard, SitaMulti	20-260	10 90 87

Article number
E 40 90 03

SitaMulti

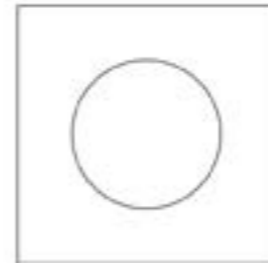
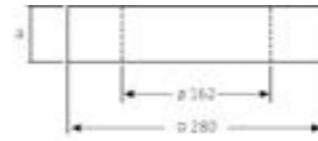
Insulating body for compensating ring



Tender text

SitaMulti compensating ring, made of foam glass, WLG 050, 40 mm or 60 mm in height. For thermal insulation for the SitaMulti roof outlet in the concrete ceiling at heights over 120 mm, supply and installation to professional standards.

Technical drawing



a (mm)	Article number
40	E 40 90 04
60	E 40 90 05

SitaMulti

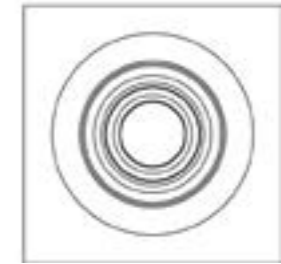
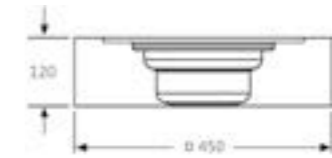
Insulating body for extension element



Tender text

SitaMulti insulating body for extension unit, made of foam glass, WLG 050. For thermal insulation and to hold the extension unit, 120 mm in height, supply and installation to professional standards.

Technical drawing



Article number
E 40 90 06

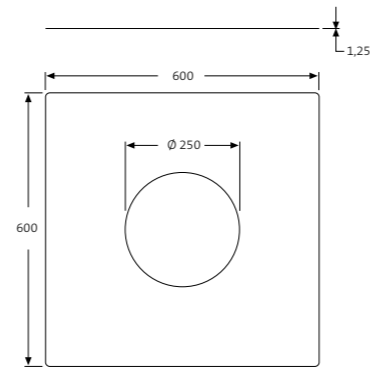
SitaMore Reinforcement plate



Tender text

SitaMore reinforcement plate, made of galvanised sheet steel, to reinforce small penetrations in the trapezoidal steel sheet, for SitaDSS Profi, SitaStandard, SitaTrendy, SitaTrendy screw-on flange, SitaVent system vent, SitaCompact, SitaMulti and SitaDSS, supply and install to professional standards.

Technical drawing



Compatibility	Article number
SitaStandard, SitaTrendy, SitaTrendy screw-on flange, SitaMulti, SitaDSS Multi, SitaDSS Profi, SitaVent system vent DN 150	10 90 00

SitaMore Pipe sleeve heating



Tender text

SitaMore pipe sleeve heating, for heating roof outlets and pipes, self-regulating PTC heating element with a heat rating of approx. 10 W at -20 °C and 230 V, with two cable ties for easy securing to pipes or roof outlets. No transformer required, supply and install to professional standards.

Technical drawing



Article number
10 90 35

SitaMulti

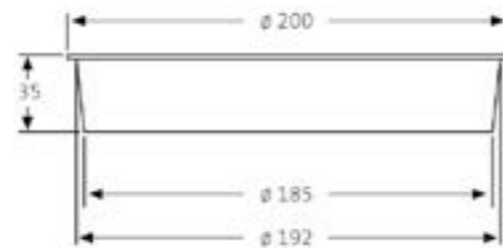
construction period protective cover



Tender text

SitaMulti construction period protective cover, inserted in drain body, it prevents the ingress of items during the construction period. Supply complete and install to professional standards.

Technical drawing



Compatibility	Article number
SitaMulti, SitaDSS Multi	E 40 90 10

SitaMore

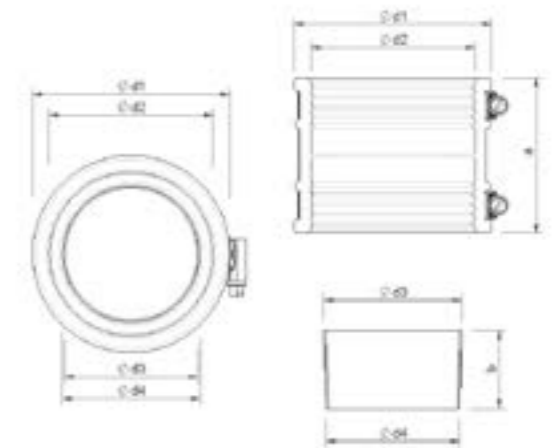
Transition connector set



Tender text

SitaMore transition connector set in size DN 75 made of TPE/V2A, in size DN 56 made of EDPM/V2A, including support ring made of rust-proof stainless steel, for the stable connection of PE and SML pipe and formed parts, supply and install to professional standards.

Technical drawing



Size DN	a (mm)	b (mm)	d1 (mm)	d2 (mm)	d3 (mm)	d4 (mm)	Article number
56	90	40	89	66	51	49	80 20 56 58
70	80		101	84	71	69	80 20 75 83

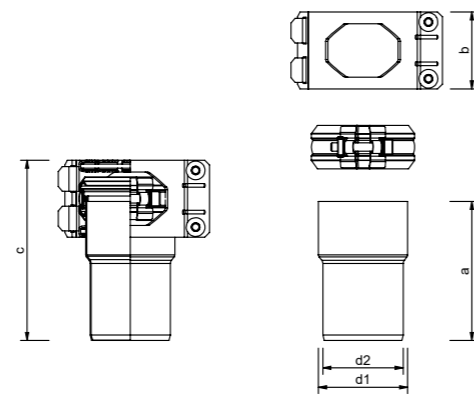
SitaMulti Connector set



Tender text

SitaMulti connector set, for the transition from SitaMulti to SitaPipe
Stainless steel pipe, consisting of a stainless steel adapter, material no. 1.4301, a rapid connector and a retaining claw, supply and install to professional standards.

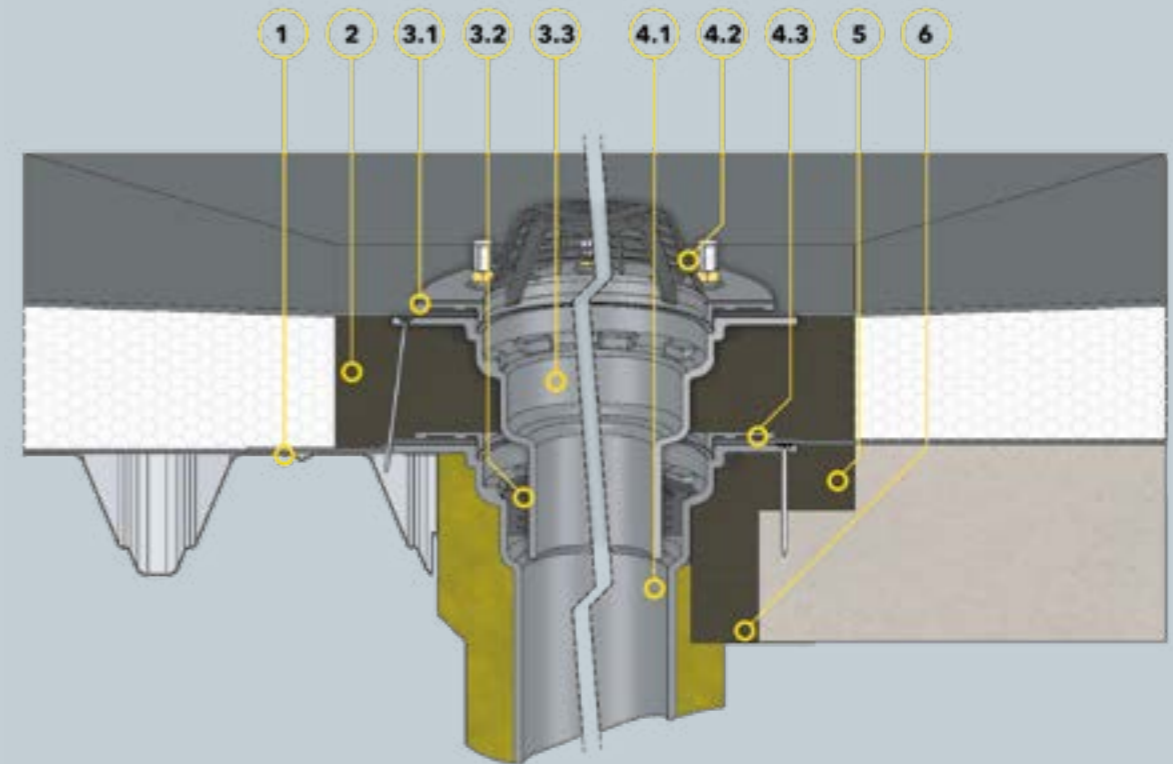
Technical drawing



Size DN	a (mm)	b (mm)	c (mm)	d1 (mm)	d2 (mm)	Article number
80	130	72	169	83	75	40 70 83
100		87	176	110	110	40 70 11

SitaMulti

SitaMulti in a non-ventilated roof structure



Components

- 1 SitaMore reinforcement plate
- 2 SitaMulti insulating body for extension element
- SitaMulti extension unit consisting of:**
- 3.1 Screw-on flange, nuts, washers and sealing sleeves
- 3.2 Sealing ring
- 3.3 Base body

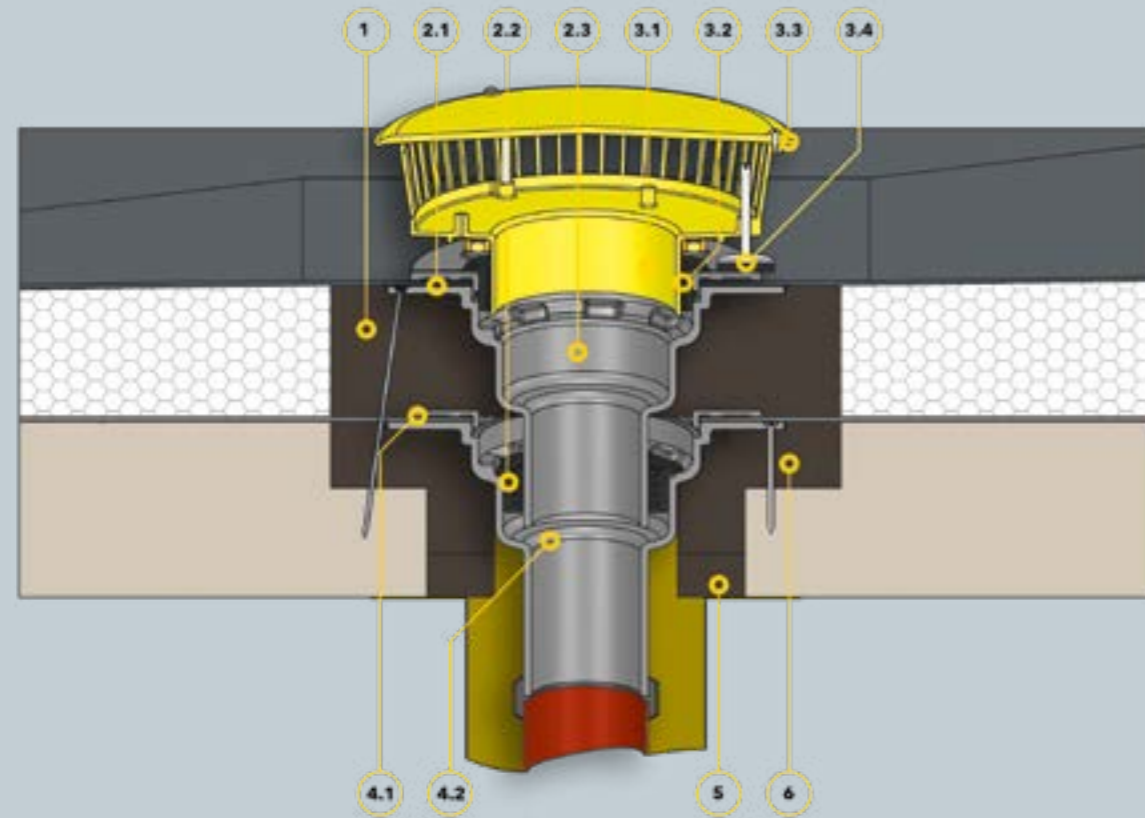
SitaMulti consisting of:

- 4.1 Base body
- 4.2 Dome grate
- 4.3 Screw-on flange, nuts, washers and sealing sleeves
- 5 SitaMulti insulating body for outlety
- 6 SitaMulti SitaMulti compensating ring

Roof structure

Non-ventilated roof structure to the general rules of engineering with:

- + Waterproof membrane
- + Thermal insulation
- + Vapour barrier
- + Substructure



Components

- 1 SitaMulti insulating body for extension unit
- SitaMulti extension unit, consisting of:**
- 2.1 Screw-on flange, nuts, washers and sealing sleeves
- 2.2 Sealing ring
- 2.3 Base body
- SitaMulti retaining element, consisting of:**
- 3.1 Base body
- 3.2 Sealing ring
- 3.3 Closed cover
- 3.4 Rubber-metal buffer feet

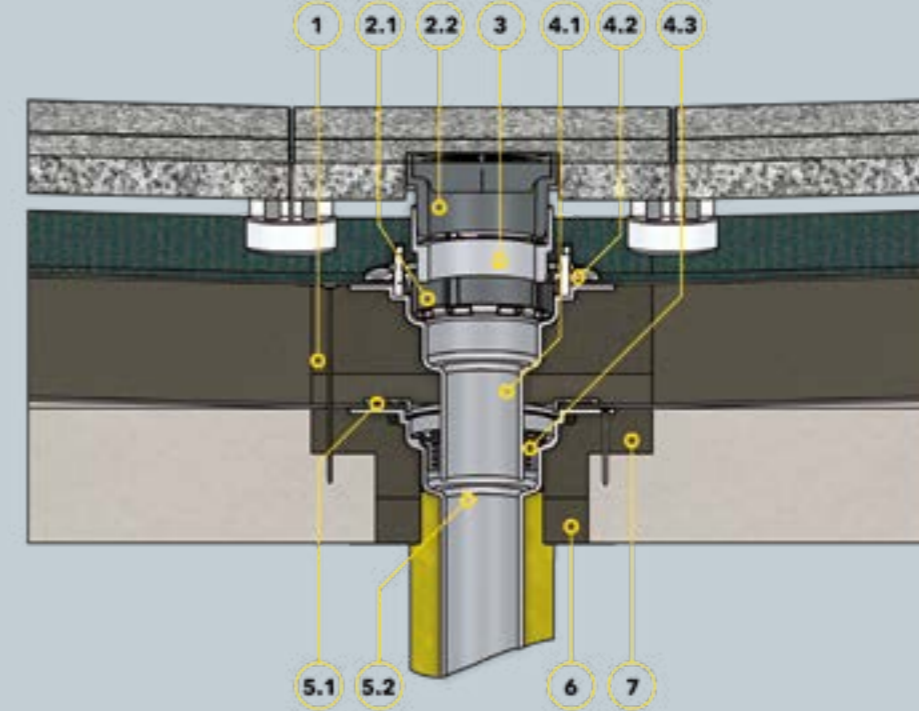
SitaMulti consisting of:

- 4.1 Screw-on flange, nuts, washers and sealing sleeves
- 4.2 Base body
- 5 SitaMulti compensating ring
- 6 SitaMulti insulating body for outlet

Roof structure

Non-ventilated roof structure to the general rules of engineering with:

- + Waterproof membrane
- + Thermal insulation
- + Vapour barrier
- + Substructure



Components

- 1 SitaMulti insulating body for extension unit
- SitaMulti Grating frame consisting of:**
- 2.1 Support ring
- 2.2 Grating with screwed end grate
- 3 SitaMulti Height compensation piece
- SitaMulti extension unit consisting of:**
- 4.1 Base body
- 4.2 Screw-on flange, nuts, washers and sealing sleeves

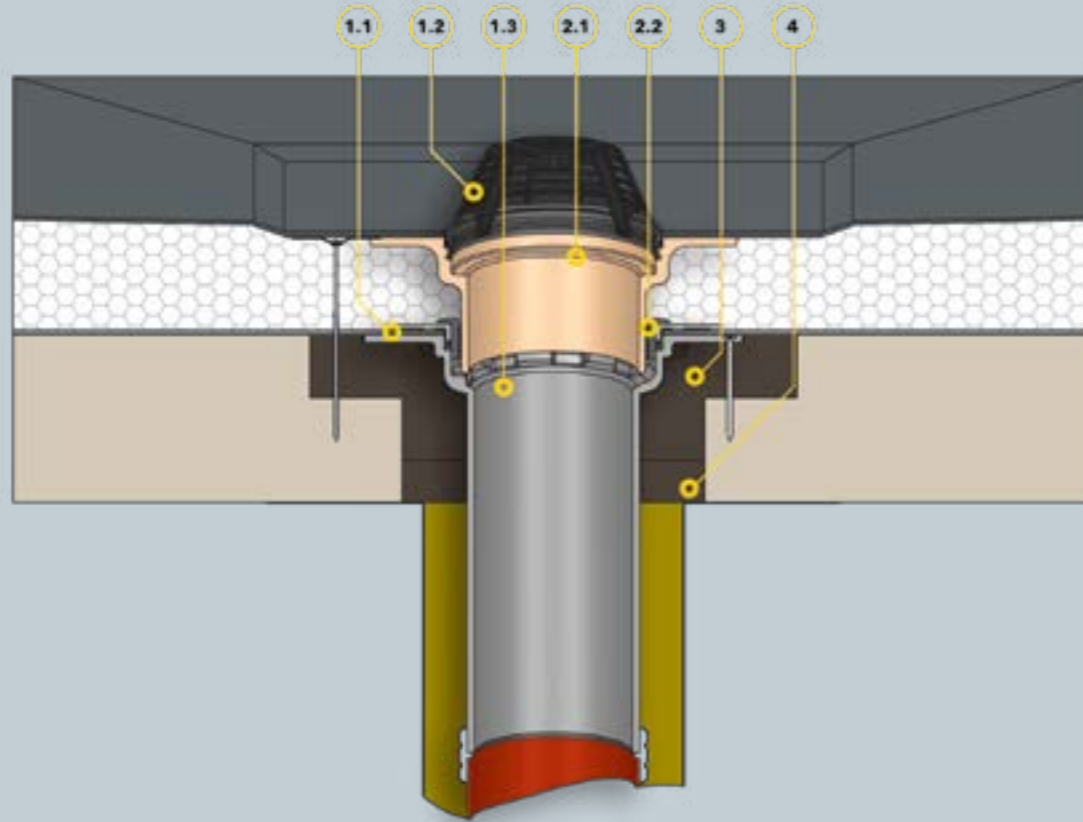
SitaMulti consisting of:

- 4.3 Sealing ring
- 5.1 Screw-on flange, nuts, washers and sealing sleeves
- 5.2 Base body
- 6 SitaMulti compensating ring
- 7 SitaMulti insulating body for outlet

Roof structure

Non-ventilated roof structure with slab paving on support pads to the general rules of engineering with:

- + Slab paving
- + Support pads
- + Protective mat
- + Waterproof membrane
- + Thermal insulation
- + Sloping screed
- + Vapour barrier
- + Substructure



Components

SitaMulti, consisting of:

- 1.1 Screw-on flange, nuts, washers and sealing sleeves
- 1.2 Dome grate
- 1.3 Base body

SitaStandard extension unit consisting of:

- 2.1 Base body
- 2.2 Sealing ring

- 3 SitaMulti insulating body for outlet

- 4 SitaMulti compensating ring

Roof structure

Non-ventilated roof structure to the general rules of engineering with:

- + Waterproof membrane
- + Thermal insulation
- + Vapour barrier
- + Substructure

SitaFireguard®
Versatile and light.
Fire protection in the set.

Click here for
the website!



- + For preventive fire safety to DIN 18234
- + A complete set allowing easy and safe installation
- + Small roof penetrations thanks to optimised shape of the PE base body
- + Optimised backflow safety thanks to perfectly seated seal
- + with integrated selected connection sleeve or screw-on flange construction
- + For main and emergency drainage



SitaFireguard®
with dome grate



SitaFireguard®
with retaining element



SitaFireguard®
Screw-on flange with
dome grate



SitaFireguard®
Screw-on flange with
retaining element



SitaFireguard®
Insulating body
Mineral wool

SitaFireguard®

Product features at a glance

Product features

Applications	For main and emergency drainage to DIN 12056-3 and DIN 1986-100 for conventional drainage and for preventive fire protection for flat roofs with requirements according to DIN 18234
Material	Sheet steel, polyethylene, polyurethane
Temperature resistance, min.	-20 °C
Properties	<ul style="list-style-type: none"> + Not sensitive to the weather (UV/IR radiation, rain/snow, temperature, ozone, etc.) + Impact and shock resistant + Durable
Workmanship	The general rules of engineering as well as the installation examples and installation instructions of Sita Bauelemente GmbH form the basis. The installation examples are for illustration purposes only and are a general, non-binding recommendation. The design is shown in schematic form only and does not replace the necessary work, detail and installation planning by the contractor. The customer, planner, contractor, etc. is responsible for checking the suitability, completeness and dimensions for the project and adjusting or tailoring the components to suit local requirements. Neighbouring works are shown in schematic form with no guarantee of their being complete or correct. The technical specifications in the information sheets, workmanship guidelines and system permits must be adhered to.

Quality mark



SitaFireguard®

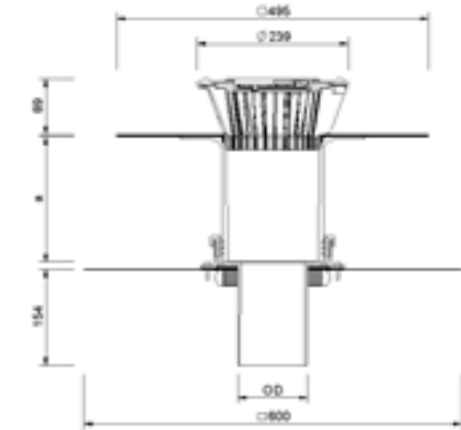
with dome grate



Tender text

SitaFireguard® with dome grate for preventive fire protection and to prevent the spread of fire from below where there are small penetrations according to DIN 18234 Part 3 and 4, in two parts, consisting of: PE base body with collar for fixing to the reinforcement plate and for clamping the vapour barrier, to DIN EN 1253-2 with enhanced quality standard to RAL quality mark GZ-694. Including extension unit for insulating material thicknesses from 65 mm to 210 mm or 105 mm to 570 mm made of PUR with large connection sleeve of choice and dome grate. For direct connection to pipes with plug-in coupler, for conventional drainage, with a sealing sleeve and a reinforcement plate to DIN EN 1090-4, with pre-assembled fire protection sleeve, supply complete and install to professional standards.

Technical drawing



Size DN	OD*	Opening/Core borehole (mm)	Recess dimension (mm x mm)	a (mm)	material thicknesses from-to (mm)	Article number
70	75	185	150 x 150	200	65-210	F 30 27 xx
				550	105-570	F 30 28 xx
100	110	235	190 x 190	200	65-210	F 30 31 xx
				550	105-570	F 30 32 xx
125	125	255	200 x 200	200	65-210	F 30 35 xx
				550	105-570	F 30 36 xx
150	160	300	300 x 300	200	65-210	F 30 39 xx
				550	105-570	F 30 40 xx

* OD = Outer diameter (mm)

xx = Article end numbers for connection sleeve of choice

Discharge rate according in l/s to DIN EN 1253-2

Size DN	Retaining height in mm																			
	5	10	15	20	25	30	35	40	45	50	55	60	65	70	75	80	85	90	95	100
70	0,5	1,0	1,8	2,7	3,3	4,3	5,0	5,7	6,7	7,4	8,3	9,1	9,6	10,4	11,0	11,6	12,6	13,4	14,8	16,0
100	0,7	1,3	2,3	3,0	4,0	4,8	5,6	6,4	7,2	8,0	8,8	9,6	10,4	11,2	12,0	14,0	16,6	18,0	20,0	23,0
125	0,5	1,2	2,0	2,9	3,6	4,7	5,5	6,3	7,3	8,3	9,2	10,0	11,0	12,0	13,2	14,9	16,6	18,0	21,0	24,9
150	0,5	1,0	1,5	2,5	3,1	4,4	5,2	6,8	8,1	9,3	11,0	12,9	14,9	16,5	17,7	18,4	19,5	20,0	21,1	22,0

SitaFireguard® with retaining element



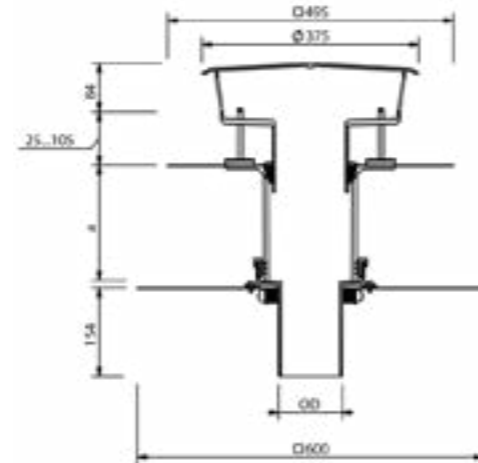
SitaFireguard® Screw-on flange with dome grate



Tender text

SitaFireguard® with retaining element for preventive fire protection and to prevent the spread of fire from below where there are small penetrations according to DIN 18234 Part 3 and 4, in two parts, consisting of: PE base body with collar for fixing to the reinforcement plate and for clamping the vapour barrier, to DIN EN 1253-2 with enhanced quality standard to RAL quality mark GZ-694. Including extension unit for insulating material thicknesses from 65 mm to 210 mm or 105 mm to 570 mm made of PUR with large connection sleeve of choice and signal yellow retaining element. For direct connection to pipes with plug-in coupler, for conventional drainage, with a sealing sleeve and a reinforcement plate to DIN EN 1090-4, with pre-assembled fire protection sleeve, supply complete and install to professional standards.

Technical drawing



Size DN	OD*	Opening/Core borehole (mm)	Recess dimension (mm x mm)	a (mm)	material thicknesses from-to (mm)	Article number
70	75	185	150 x 150	200	65-210	F 30 29 xx
				550	105-570	F 30 30 xx
100	110	235	190 x 190	200	65-210	F 30 33 xx
				550	105-570	F 30 34 xx
125	125	255	200 x 200	200	65-210	F 30 37 xx
				550	10-570	F 30 38 xx
150	160	300	300 x 300	200	65-210	F 30 41 xx
				550	105-570	F 30 42 xx

* OD = Outer diameter (mm)

xx = Article end numbers for connection sleeve of choice

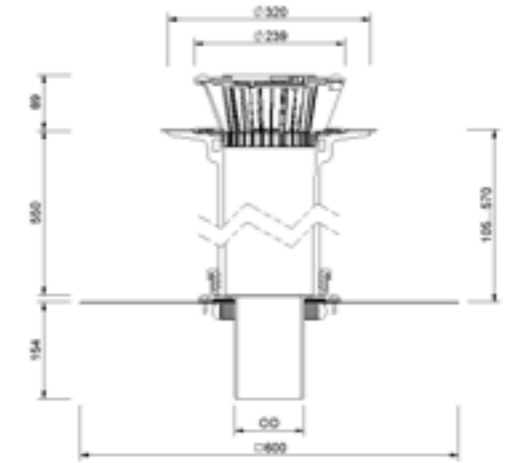
Discharge rate according in l/s to DIN EN 1253-2

Size DN	Retaining height in mm																			
	5	10	15	20	25	30	35	40	45	50	55	60	65	70	75	80	85	90	95	100
70	0,9	2,3	3,4	4,8	6,0	7,2	8,7	10,3	11,6	12,4	12,9	13,5	14,0	16,2	16,5	16,5	16,5	16,5	16,5	16,5
100	1,0	2,2	3,3	4,5	5,7	7,1	8,6	10,0	11,5	13,4	15,4	17,4	20,0	28,0	28,0	28,0	28,0	28,0	28,0	28,0
125	1,0	2,2	3,3	4,6	6,0	7,4	8,9	0,5	12,0	13,5	15,4	18,0	22,0	28,0	28,0	28,0	28,0	28,0	28,0	28,0
150	0,8	1,5	2,0	4,6	6,0	7,4	8,7	10,0	11,4	13,1	15,0	16,6	18,0	28,0	28,0	28,0	28,0	28,0	28,0	28,0

Tender text

SitaFireguard® screw-on flange with dome grate for preventive fire protection and to prevent the spread of fire from below where there are small penetrations according to DIN 18234 Part 3 and 4, in two parts, consisting of: PE base body with collar for fixing to the reinforcement plate and for clamping the vapour barrier, to DIN EN 1253-2 with enhanced quality standard to RAL quality mark GZ-694. Including extension unit for insulating material thicknesses from 105 mm to 570 mm made of PUR with screw-on flange construction with dome grate. For direct connection to pipes with plug-in coupler, for conventional drainage, with a sealing sleeve and a reinforcement plate to DIN EN 1090-4, with pre-assembled fire protection sleeve, supply complete and install to professional standards.

Technical drawing



Size DN	OD*	Opening/Core borehole (mm)	Recess dimension (mm x mm)	material thicknesses from-to (mm)	Article number
70	75	185	150 x 150	105-570	F 30 28 99
100	110	235	190 x 190		F 30 32 99
125	125	255	200 x 200		F 30 36 99
150	160	300	300 x 300		F 30 40 99

* OD = Outer diameter (mm)

Discharge rate according in l/s to DIN EN 1253-2

Size DN	Retaining height in mm																			
	5	10	15	20	25	30	35	40	45	50	55	60	65	70	75	80	85	90	95	100
70	0,5	1,0	1,8	2,7	3,3	4,3	5,0	5,7	6,7	7,4	8,3	9,1	9,6	10,4	11,0	11,6	12,6	13,4	14,8	16,0
100	0,7	1,3	2,3	3,0	4,0	4,8	5,6	6,4	7,2	8,0	8,8	9,6	10,4	11,2	12,0	14,0	16,6	18,0	20,0	23,0
125	0,5	1,2	2,0	2,9	3,6	4,7	5,5	6,3	7,3	8,3	9,2	10,0	11,0	12,0	13,2	14,9	16,6	18,0	21,0	24,9
150	0,5	1,0	1,5	2,5	3,1	4,4	5,2	6,8	8,1	9,3	11,0	12,9	14,9	16,5	17,7	18,4	19,5	20,0	21,1	22,0

SitaFireguard® Screw-on flange with retaining element



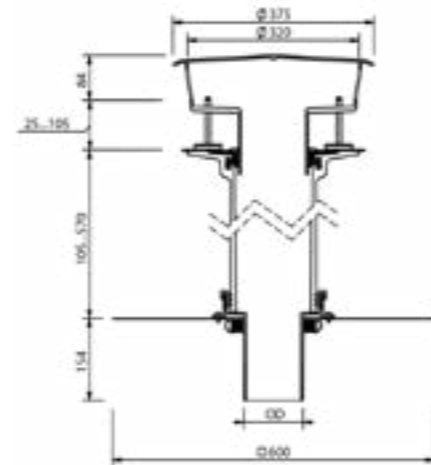
SitaFireguard® Insulating body Mineral wool



Tender text

SitaFireguard® screw-on flange with retaining element for preventive fire protection and to prevent the spread of fire from below where there are small penetrations according to DIN 18234 Part 3 and 4, consisting of: PE base body with collar for fixing to the reinforcement plate and for clamping the vapour barrier, to DIN EN 1253-2 with enhanced quality standard to RAL quality mark GZ-694. Including extension unit for insulating material thicknesses from 105 mm to 570 mm made of PUR with screw-on flange construction and signal yellow retaining element. For direct connection to pipes with plug-in coupler, for conventional drainage, with a sealing sleeve and a reinforcement plate to DIN EN 1090-4, with pre-assembled fire protection sleeve, supply complete and install to professional standards.

Technical drawing



Size DN	OD*	Opening/Core borehole (mm)	Recess dimension (mm x mm)	material thicknesses from-to (mm)	Article number
70	75	185	150 x 150	105-570	F 30 30 99
100	110	235	190 x 190		F 30 34 99
125	125	250	200 x 200		F 30 38 99
150	160	300	300 x 300		F 30 42 99

* OD = Outer diameter (mm)

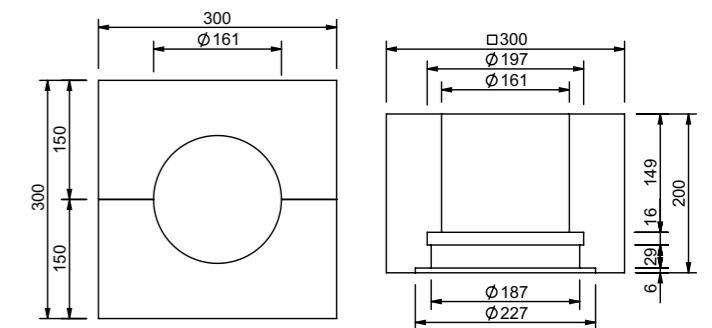
Discharge rate according in l/s to DIN EN 1253-2

Size DN	Retaining height in mm																			
	5	10	15	20	25	30	35	40	45	50	55	60	65	70	75	80	85	90	95	100
70	0,9	2,3	3,4	4,8	6,0	7,2	8,7	10,3	11,6	12,4	12,9	13,5	14,0	16,2	16,5	16,5	16,5	16,5	16,5	16,5
100	1,0	2,2	3,3	4,5	5,7	7,1	8,6	10,0	11,5	13,4	15,4	17,4	20,0	28,0	28,0	28,0	28,0	28,0	28,0	28,0
125	1,0	2,2	3,3	4,6	6,0	7,4	8,9	0,5	12,0	13,5	15,4	18,0	22,0	28,0	28,0	28,0	28,0	28,0	28,0	28,0
150	0,8	1,5	2,0	4,6	6,0	7,4	8,7	10,0	11,4	13,1	15,0	16,6	18,0	28,0	28,0	28,0	28,0	28,0	28,0	28,0

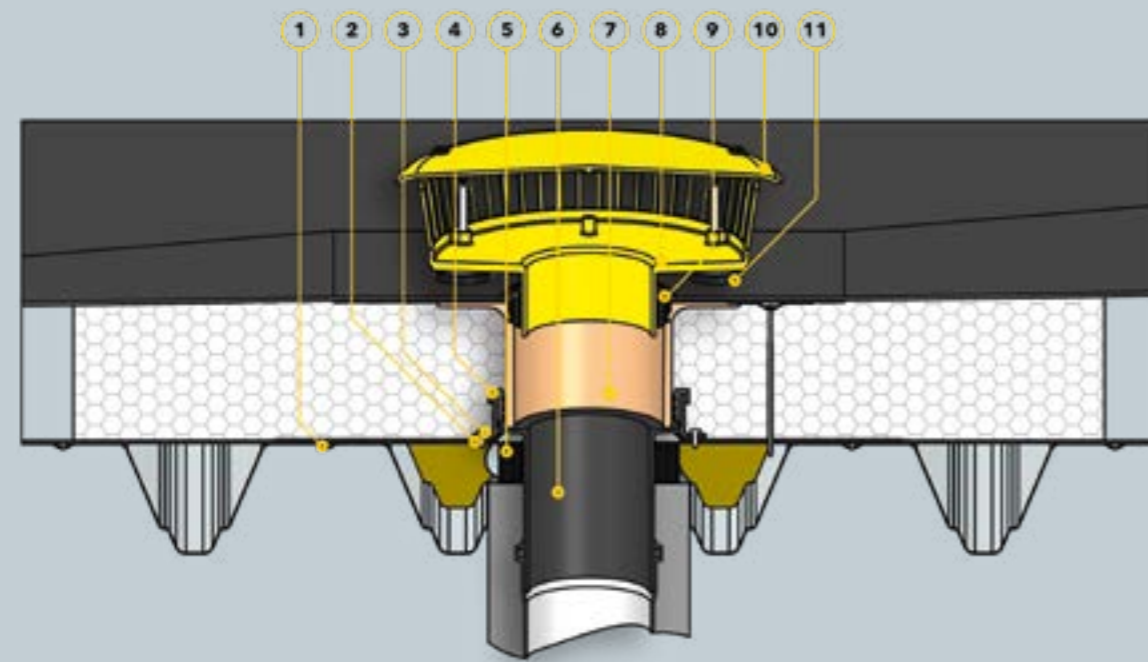
Tender text

SitaFireguard insulating body made of mineral fibres, WLG 040, height 200 mm, material class A1 (not flammable), application type DAA dm according to DIN 4108-10, suitable for unused roof surfaces. For thermal insulation and for use as an installation aid for positioning the extension unit for the SitaFireguard, SitaDSS Fireguard and the PE pipe for the SitaVent Fireguard, supply and installation to professional standards.

Technical drawing



Compatibility	Article number
SitaFireguard, SitaDSS Fireguard, SitaVent Fireguard	E 10 96 13



Components

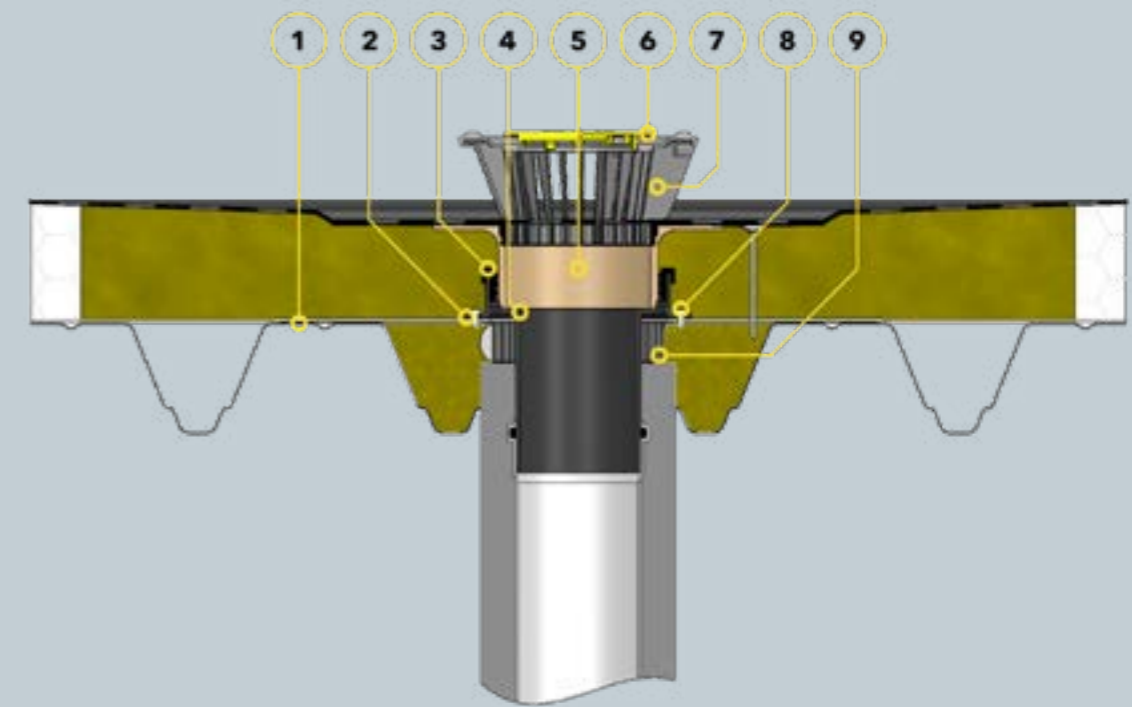
SitaFireguard emergency drainage consisting of:

- 1 Reinforcement plate
- 2 Sealing sleeve
- 3 Self-tapping screw
- 4 Seal
- 5 Fire protection sleeve

- 6 PE base body
- 7 Extension unit
- 8 Retaining element base body
- 9 Retaining element sealing ring
- 10 Retaining element cover
- 11 Height-adjustable feet

Roof structure

Non-ventilated roof structure to the general rules of engineering with:
 + Sealing
 + Thermal insulation non-flammable, min. 1.0 m x 1.0 m
 + Vapour barrier
 + Non-flammable section fillers
 + Steel trapezoidal section



Components

SitaFireguard® bestehend aus:

- 1 Reinforcement plate
- 2 Sealing Sleeve
- 3 Sealing ring
- 4 PE base body

- 5 Extension element
- 6 Dome grate cover
- 7 Dome grate base body
- 8 Self-tapping screw
- 9 Fire protection collar

Roof structure

Non-ventilated roof structure to the general rules of engineering with:
 + Sealing
 + Thermal insulation non-flammable, min. 1.0 m x 1.0 m
 + Vapour barrier
 + Non-flammable section fillers
 + Steel trapezoidal section

Connection sleeves for outlets with article end numbers.

For SitaStandard, SitaTrendy, SitaDSS Profi, SitaIndra, SitaDSS Indra, SitaVasant, SitaEasy, SitaEasy Plus, SitaCompact, SitaCompact Near*4, SitaCarport, SitaMini*3, SitaSani*, SitaFireguard®, SitaDSS Fireguard®, SitaVent Fireguard® and SitaVent

Sleeves from the series production

Product-/Trade name	Art. No. end number	Type	Manufacturer
Bitumen	00*1	Elastomerbitumen	
PVC soft	10	PVC - light grey	
Fluid	90	for liquid plastic seal (Order-related production lead-time approx: 5 working days ex works.)	

Sleeves from the series production

Order-related production lead-time approx: 5 working days ex works.

Surcharge see current price list

Product-/Trade name	Art. No. end number	Type	Manufacturer
Alkorplan F35276	49	PVC - medium grey	Renolit AG
Alkortec®	05	EVA - dark grey	
Alkortop® F	41	TPO - sand	
Armourplan G	45	PVC - medium grey	IKO Polymeric
Atlantic EC12 single ply	63	TPO/TPE - dark grey	Bailey Roofing Systems
Atlantic EC16 single ply	64	TPO/TPE - light grey	
Evalastic V	22*1	EPDM - light grey	Alwitra GmbH
Evalon V	25*1	EVA - white	
Evalon V	37*1	EVA - hellgrau	
Evalon V	50*1	EVA - slate grey	
EverGuard	77	FPO - light grey	BMI Wolfin Bautechnik
Extrapol F	32*1	FPO - light grey	Schedetal Folien GmbH
Elevate UltraPly	42	TPO/FPO - grey	Holcim Solutions and Products EMEA BV
Elevate UltraPly	54	TPO/FPO - white	
Flagon EP-S	31	FPO - sand grey	SOPREMA GmbH
Flagon EP	73	FPO - basalt grey	
Flagon SR	66	PVC - light grey	
Hertalan Easy Weld	07	EPDM - black	Carlisle Construction Materials GmbH
Köster ECB 2.0 F	72*1	ECB - black	Köster Bauchemie AG
Köster TPO 2.0 F	48*1	TPE - light grey	
Mapeplan D 15	06	PVC - light grey	Mapei GmbH (DE)
Mapeplan-T	04	FPO - light grey	
Polyfin 4020 v	16*1	FPO - light grey	Polyfin AG
Protan D	80	PVC soft - dark grey	Protan Deutschland GmbH
Resitrix CL	01*2	EPDM - black	Carlisle Construction Materials GmbH
Rhepanol HG 18	34	PIB - grey	FDT Flachdachtechnologie GmbH & Co. KG
Sarnafil®-TG 66-15	24	FPO - beige	Sika GmbH
Sarnafil®-TG 66-15	76	FPO - grey	
Sikaplan® 15G	09	PVC - light grey	
Sintofoil RG FR	0104	TPO - light grey	GEORG BÖRNER GmbH & Co. KG
Sintofoil ST	57	TPO - light grey	GEORG BÖRNER GmbH & Co. KG
Spectraplan SG	46	TPE - grey	IKO Polymeric
Tectofin RV plus	0105*1	ASA-PVC-P - grey	BMI Wolfin Bautechnik
Thermofin F15	02	FPO - silver grey	Paul Bauder GmbH & Co. KG
Thermofol U15	52	PVC - anthrazit	
Thermoplan TL 15	29	FPO - pearl white	
VAEPLAN F	35	EVA - grey	VAEPLAN GmbH
Wolfin IB	20	PVC-PBV - black	BMI Wolfin Bautechnik

Surcharge see current price list

NovoProof joining technology	84	EPDM - black	CQLT SaarGummi Deutschland GmbH
Thermobond R	75	EPDM - black	Sealeco GmbH

Surcharge see current price list

Elevate Quickseam SA Flashing	03	EPDM - black	Holcim Solutions and Products EMEA BV
-------------------------------	----	--------------	---------------------------------------

Surcharge see current price list

Hertalan with joining technology	82	EPDM - black	Carlisle Construction Materials GmbH
----------------------------------	----	--------------	--------------------------------------

Connection sleeves for outlets with article end numbers.

For SitaTurbo and SitaTurbo Max.

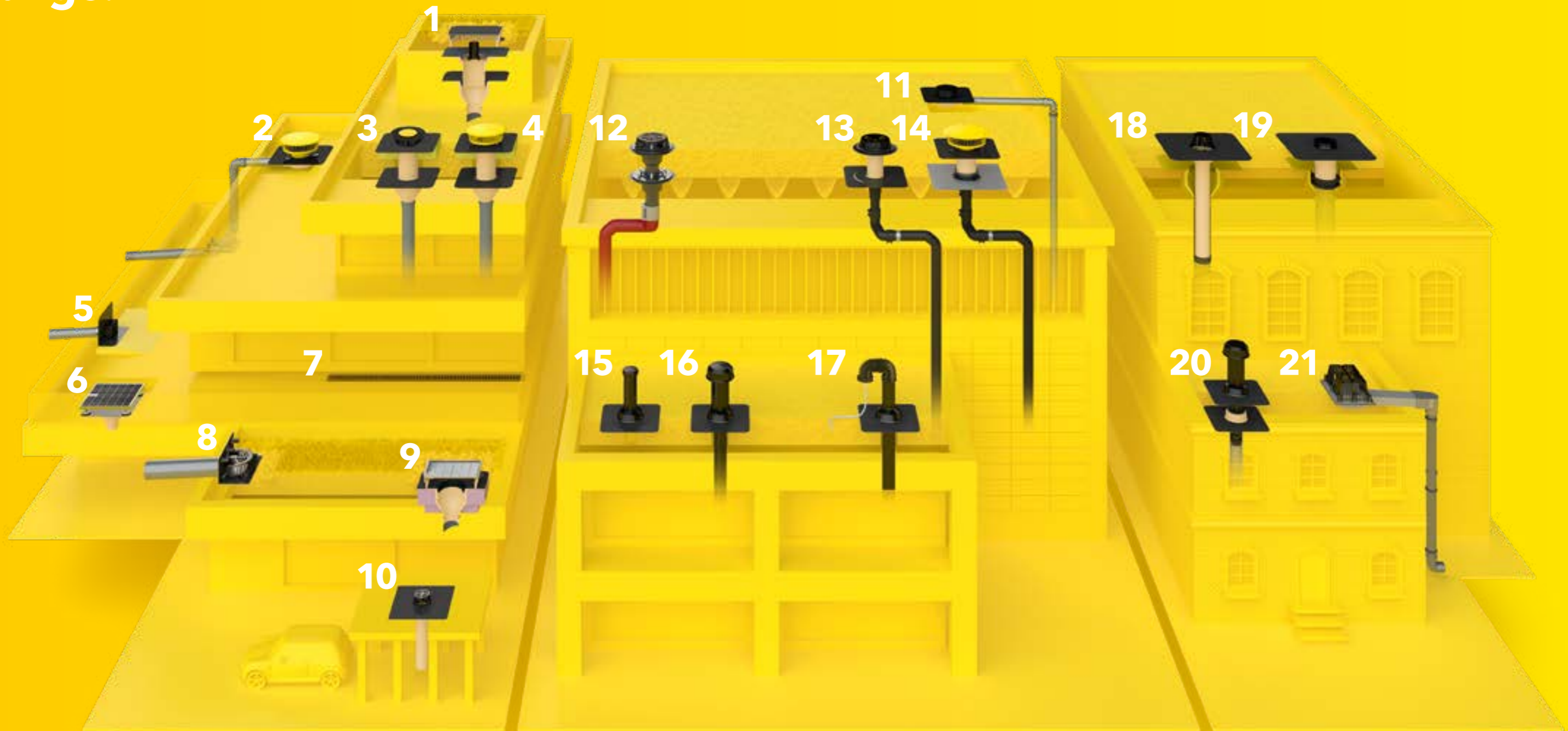
Sleeves from the series production

Order-related production lead-time approx: 5 working days ex works.

Surcharge see current price list

Product-/Trade name	Art. No. end number	Type	Manufacturer
Bitumenunterlage	70	Elastomerbitumen	
Bitumenoberlage	71	Polymerbitumen	
Alkorplan F35276	49	PVC - medium grey	Renolit AG
Alkortec®	05	EVA - dark grey	
Alkortop® F	41	TPO - sand	
Armourplan G	45	PVC - medium grey	IKO Polymeric
Atlantic EC12 single ply	63	TPO/TPE - dark grey	Bailey Roofing Systems
Atlantic EC16 single ply	64	TPO/TPE - light grey	
Evalastic	87	EPDM - light grey	Alwitra GmbH
Evalon	88	EVA - white	
Evalon	85	EVA - light grey	
Evalon	0102	EVA - slate grey	
EverGuard	77	FPO - light grey	BMI Wolfin Bautechnik
Extrapol M 1.8	0100	FPO - lichtgrau	Schedetal Folien GmbH
Elevate UltraPly	42	TPO/FPO - grey	Holcim Solutions and Products EMEA BV
Elevate UltraPly	54	TPO/FPO - white	
Flagon EP-S	31	FPO - sand grey	SOPREMA GmbH
Flagon EP	73	FPO - basalt grey	
Flagon SR	66	PVC - light grey	
Hertalan Easy Weld	07	EPDM - black	Carlisle Construction Materials GmbH
Köster ECB 2.0	0103	ECB - black	Köster Bauchemie AG
Köster TPO 2.0	0101	TPE - light grey	
Mapeplan D 15	06	PVC - light grey	Mapei GmbH (DE)
Mapeplan-T	04	FPO - light grey	
O.C. Plan 3020	89	ECB - black	Polyfin AG
Polyfin 3020	86	FPO - light grey	
PVC soft	10	PVC - light grey	Paul Bauder GmbH & Co. KG
Protan D	80	PVC soft - dark grey	Protan Deutschland GmbH
Resitrix CL	01	EPDM - black	Carlisle Construction Materials GmbH
Rhepanol HG 18	34	PIB - grey	FDT Flachdachtechnologie GmbH & Co. KG
Sarnafil®-TG 66-15	24	FPO - beige	
Sarnafil®-TG 66-15	76	FPO - grey	
Sikaplan® 15G	09	PVC - light grey	Sika GmbH
Sintofoil RG FR	0104	TPO - light grey	
Sintofoil ST	57	TPO - light grey	
Spectraplan SG	46	TPE - grey	IKO Polymeric
Tectofin RG	18	ASA-PVC-P - grey	BMI Wolfin Bautechnik
Thermofin F15	02	FPO - silver grey	Paul Bauder GmbH & Co. KG
Thermofol U15	52	PVC - anthrazit	
Thermoplan TL 15	29	FPO - pearl white	
VAEPLAN F	35	EVA - grey	VAEPLAN GmbH
Wolfin IB	20	PVC-PBV - black	BMI Wolfin Bautechnik

Superbly served - with the Sita product range.



- | | | | | |
|--|--|---|---|--|
| 1 SitaRetention green roof shaft with SitaRetention Fix | 5 SitaEasy | 11 SitaDSS Indra main drainage set | 16 SitaVent system vent with SitaVent condensation deflector | 20 SitaVent refurbishment vent with SitaVent base plate |
| 2 SitaKaskade Inside with SitaDSS Indra emergency drainage set and SitaPipe stainless steel pipe system | 6 SitaDrain® Terra with SitaCompact | 12 SitaDSS Multi with SitaDSS Multi extension unit | 17 SitaVent pipe bent with pipe fairlead | 21 SitaTurbo loose retention valve |
| 3 SitaStandard with SitaStandard extension unit and insulating body in use for the extension unit | 7 SitaDrain® box drain with footbridge | 13 SitaDSS Profi with SitaDSS Profi extension unit | 18 SitaSani® drainage into the existing pipe system | |
| 4 SitaStandard with SitaStandard extension unit and SitaMore retaining element | 8 SitaRondo | 14 SitaDSS Fireguard® with retaining element | 19 SitaSani® drainage into the existing roof outlet | |
| | 9 SitaGreen roof shaft with SitaTrendy and SitaTrendy insulating body | 15 SitaVent Revision | | |
| | 10 SitaCarport | | | |

Sita:

1 Award-winning.

Sita - meets the standards

Standard ISO 9001 defines the requirements for a company's certifiable quality management system. The required properties of the products and services are regularly monitored by a certified company to satisfy quality-related customer requirements.



Standard ISO 14001 defines the requirements for a company's certifiable environmental management system. The fulfilment of environmental objectives and their continuous improvement are monitored and evaluated.

Sita - among the 100 most innovative companies

The TOP 100 has been recognising the most innovative medium-sized German companies for the last 25 years. Sita was added to the list in 2017 - including for its excellent knowledge of technical requirements and its permanent exchange with dealers, roofers and architects.



3 Supports standards.

Sita is a member of the IFBS

The Industrial Federation for Construction Systems in Lightweight Steel assures the quality standards of large components and drafts technical rules and regulations.



Compliance with regulations: Sita and DIN

As a DIN member, Sita can network efficiently with other experts. That enables Sita to support the well-proven system of standardisation and at the same time to give its input - for future standards strategies.



Sita and the RAL quality mark

A guarantee of top quality and safety: RAL product certification is voluntary for Sita and goes beyond the statutory requirements. It is a legally binding decision-making aid for architects, craftsmen and developers.



Other Sita quality documents:



2 Product-tested.

Tested safety by TÜV

Certification by TÜV Rheinland LGA Products GmbH is a procedure which Sita Bauelemente GmbH undertakes on a voluntary basis. It provides you with the guarantee that Sita products comply with the requirements of DIN EN 1253 and are regularly monitored by an independent institution.



Regulated by the Ü mark

Roof outlets are manufactured in accordance with DIN EN 1253-2 and treated as regulated building products under Building Regulations List A Part 1. Its applicability must be confirmed in the compliance verification required for this purpose - why Sita bears the compliance mark (Ü mark).



New 6-year assurance: ZVDH material guarantee

Sita has lodged a comprehensive guarantee for almost all its products via the ZVDH. This provides registered companies not only with compensation in the event of damage but also the assurance of the reimbursement of the removal, installation and, if necessary, scaffolding set-up costs.



4 Protects the environment.

Interseroh Climate Protection Certificate

Sita is one of the companies protecting the climate by its good example: Recycling transport packaging helps to prevent millions of tonnes of greenhouse gases and recover valuable resources.



Sita uses green electricity

The electricity Sita purchases comes from systems which generate electricity from renewable sources.



Our free calculation service.

**Do you need planning security?
We can provide advice and help.
And we make it very easy for you.**

Our experts calculate your main and emergency drainage in compliance with the standards, based on the data of your roof area. Giving us the location of your project enables us to include precise rainfall data in the calculation. That gives you an accurate result calculated easily and exclusive for exactly your project-personal and precise. Simply complete our online form and send it to us.

If you have any questions,
feel free to give us a call:
+44 (0) 7402239777



**Sita advice provided
the security
I needed at all
phases of planning
and construction.**

Sita direct. Contacts.

Export
Manager



Export Manager
Udo Happe
Ferdinand-Braun-Straße 1
D-33378 Rheda-Wiedenbrück
T +49 2522 8340-178
M +49 173 6588061
E u.happe@sita-baelemente.de

Technical
Consultant



Technical Consultant
Ben Ward
Sita Bauelemente GmbH/UK
26 Whirlow Court Road
Sheffield, S11 9NT
United Kingdom
T +44 (0) 7402239777
E b.ward@sita-baelemente.co.uk

Sales
Department
Export



Sarah Möller
Ferdinand-Braun-Straße 1
D-33378 Rheda-Wiedenbrück
T +49 2522 8340-149
E s.moeller@sita-baelemente.de

Internal Sales Conventional Drainage
F +49 2522 8340-140
E vertrieb@sita-baelemente.de

Superbly advice - with the Sita full package.

From individual calculations for your project,
complete personal project support and
advice - until time of installation and beyond:
that is genuine Sita product and service quality.

Advice

We share our expertise.
Always there for you - plan
and build without worry.

Full support from installation
advice to 24-hour delivery.
Sita contacts are always there
for you - it only takes a phone call.

Product

The right product for
every situation.

Our extensive full range can
be combined in various ways,
ensuring you are prepared
for every situation.

Calculation

We factor in every
eventuality. That creates
safety and a good feeling.

Planning safety in every respect.
Use our free Sita calculation service.

Sita product segments:

CD

Conventional
drainage

BT

Balcony and
terrace drainage

FP

Fire
protection

SD

Siphonic
drainage

D

Drainage

P

Pipe

ED

Emergency
drainage

GR

Green roof
and retention

PD

Parapet
drainage

R

Refurbishment

K

Kaskade

V

Ventilation and
pipe fairlead

Sita Bauelemente GmbH
Ferdinand-Braun-Straße 1
33378 Rheda-Wiedenbrück
T +49 2522 8340-0
E info@sita-bauelemente.de
W sita-bauelemente.de

