

SitaDSS Profi
Low weight.
Timeless look.



- + For direct connection to PE pipes
- + High discharge volume
- + Easy installation due to small number of parts
- + Suitable for universal use
- + With integrated selected connection sleeve or loose-fixed flange construction



SitaDSS Profi
rainwater outlet



SitaDSS Profi
rainwater outlet
without Airstop



SitaDSS Profi
screw-on flange



SitaDSS Profi
screw-on flange
without Airstop



SitaDSS Profi
extension unit



SitaDSS Profi
screw-on flange extension unit



SitaDSS Profi
retaining element



SitaMore
reinforcement plate



SitaMore
safety heating system



SitaDSS Profi
insulating body for
extension unit

SitaDSS Profi

Product features at a glance:

Product features

Areas of use	For main and emergency drainage to DIN EN 12056-3 and DIN 1986-100 for large used and unused flat and gently sloped roofs
Material	Polyurethane
Connection type	Connection sleeve
Design	Vertical
Version	with or without Airstop
Colour	Yellow, black
Finish	Smooth
Temperature resistance min.	-20 °C
Temperature resistance max.	80 °C
Building material class	B2 normal flammability
General properties	Clean, no bubbles, cavities, cracks or the like
Properties	<ul style="list-style-type: none">+ Thermally insulated+ Excellent weather resistance (UV/IR radiation)+ Resistant to normal environmental influences+ Impact and shock resistant+ Durable
Workmanship	<p>The general rules of engineering as well as the installation examples and installation instructions of Sita Bauelemente GmbH form the basis. The installation examples are for illustration purposes only and are a general, non-binding recommendation. The design is shown in schematic form only and does not replace the necessary work, detail and installation planning by the contractor. The customer, planner, contractor, etc. is responsible for checking the suitability, completeness and dimensions for the project and adjusting or tailoring the components to suit local requirements. Neighbouring works are shown in schematic form with no guarantee of their being complete or correct. The technical specifications in the information sheets, workmanship guidelines and system permits be adhered to.</p>

Quality marks



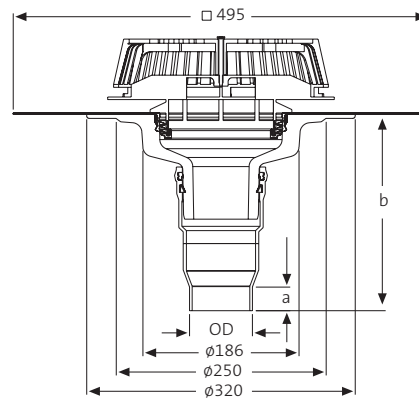
SitaDSS Profi rainwater outlet



Tender text

SitaDSS Profi siphonic drainage rainwater outlet, made of polyurethane, thermally insulated to DIN EN 1253-2 with enhanced quality standard to RAL quality mark GZ-694, in sizes DN 56 or DN 70. For direct connection to PE pipes (butt welding or with an electrofusion socket), for siphonic drainage, with large integrated selected connection sleeve (495 x 495 mm) to match the roofing membrane and with securing ring for additional securing of the connection sleeve and for supporting the Airstop with dome grate or retaining element. Available with or without Airstop with dome grate, supply and installation to professional standards.

Technical drawing



Nominal diameters, pipe length, dimensions and article numbers

Size DN	OD*	a (mm)	b (mm)	Opening/ Core drill hole (mm)	Article number
56	56	29	257	ø 250	14 02 xx
56	56	29	257	ø 250	14 32 xx**
70	75	32	178	ø 250	14 04 xx
70	75	32	178	ø 250	14 34 xx**

*OD =Outer diameter (mm)

xx = Article end numbers for selected connection sleeve, see page 81.

** Without Airstop, to be used in combination with the SitaDSS Profi retaining element for emergency drainage only.

Drainage capacities in l/s to DIN EN 1253

Size DN	Head of water (mm)										
	5	10	15	20	25	30	35	40	45	50	55
56	0.7	2.0	3.2	4.1	4.9	6.6	8.2	8.2	8.2	8.2	8.2
70	0.5	1.3	2.8	4.2	5.5	7.6	9.4	12.9	16.3	16.7	17.0

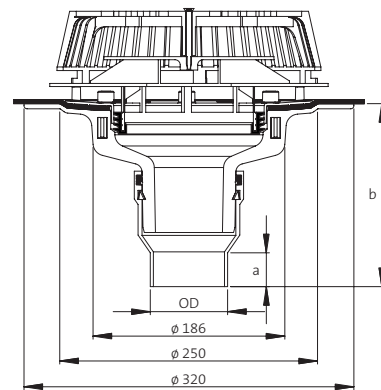
SitaDSS Profi screw-on flange



Tender text

SitaDSS Profi siphonic drainage rainwater outlet, made of polyurethane, thermally insulated to DIN EN 1253-2 with enhanced quality standard to RAL quality mark GZ-694, in sizes DN 56 or DN 70. For direct connection to PE pipes (butt welding or with electrofusion socket), for siphonic drainage, with pre-drilled holes to secure the component in the substructure, with integrated insert ring for the supplied screws, loose aluminium flange and two sealing sleeves for clamping bitumen, plastic or EPDM roofing membranes. Available with or without Airstop with dome grate, supply and installation to professional standards.

Technical drawing



Nominal diameters, pipe length, dimensions and article numbers

Size DN	OD*	a (mm)	b (mm)	Opening/ Core drill hole (mm)	Article number
56	56	29	257	$\phi 250$	14 02 99
56	56	29	257	$\phi 250$	14 32 99**
70	75	32	178	$\phi 250$	14 04 99
70	75	32	178	$\phi 250$	14 34 99**

*OD =Outer diameter (mm)

** Without Airstop, to be used in combination with the SitaDSS Profi retaining element for emergency drainage only.

Drainage capacities in l/s to DIN EN 1253

Size DN	Head of water (mm)										
	5	10	15	20	25	30	35	40	45	50	55
56	0.7	2.0	3.2	4.1	4.9	6.6	8.2	8.2	8.2	8.2	8.2
70	0.5	1.3	2.8	4.2	5.5	7.6	9.4	12.9	16.3	16.7	17.0

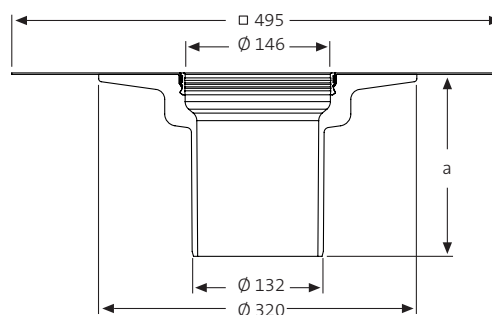
SitaDSS Profi extension unit



Tender text

SitaDSS Profi extension unit, made of polyurethane, to DIN EN 1253-2 with enhanced quality standard to RAL quality mark GZ-694, thermally insulated, for insulation thicknesses of 60-320 mm. With large integrated selected connection sleeve (495 mm x 495 mm) to match the roofing membrane and with securing ring for additional securing of the connection sleeve. Supply, including multi-lip angled sealing ring for backflow safety and installation to professional standards.

Technical drawing



Heights, bridging sizes of thermal insulation and article numbers

a (mm)	Bridging size of thermal insulation from-to (mm)	Article number
183	60-150	14 25 xx
251	60-220	14 26 xx
355	60-320	14 27 xx

xx = Article end numbers for selected connection sleeve, see page 81.

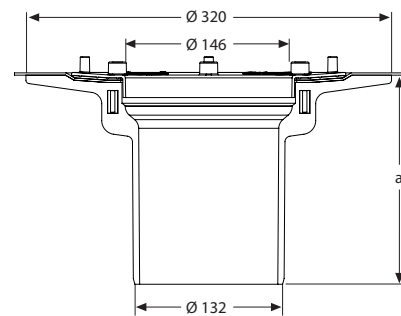
SitaDSS Profi screw-on flange extension unit



Tender text

SitaDSS Profi screw-on flange extension unit, made of polyurethane, to DIN EN 1253-2 with enhanced quality standard to RAL quality mark GZ-694, for installation thicknesses from 60-320 mm, with ready-made drill holes to secure the component in the substructure. With integrated insert ring for the supplied screws, loose aluminium flange and two sealing sleeves for clamping bitumen, plastic or EPDM roofing membranes. Supply, including multi-lip angled sealing ring for backflow safety and installation to professional standards.

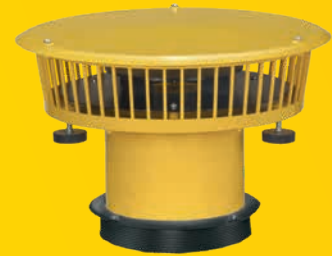
Technical drawing



Heights, bridging sizes of thermal insulation and article numbers

a (mm)	Bridging size of thermal insulation from-to (mm)	Article number
183	60-150	14 25 99
251	60-220	14 26 99
355	60-320	14 27 99

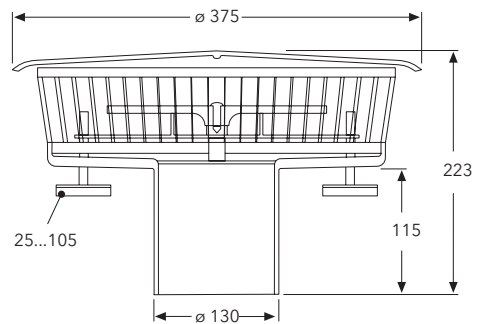
SitaDSS Profi retaining element



Tender text

SitaDSS Profi retaining element, made of polyamide, to DIN EN 1253-2 with enhanced quality standard to RAL quality mark GZ-694, for SitaDSS Profi, SitaDSS Profi screw-on flange, SitaSani® 160 DSS rainwater outlets and extension units, for emergency drainage, for retaining heights of 25-105 mm, with multi-lip angled seal to seal the retaining element against the roof outlet or extension unit. With three infinitely height-adjustable rubber/metal buffers, installation area per foot: 19.6 cm², with galvanised threaded rod M 8 mm x 90 mm, with bolted sealed lid which can be removed for inspection, housing with 51 surrounding lugs, in yellow signal colour. Retaining heights of water are infinitely adjustable, with large inlet pot to increase drainage capacity, supply in full and installation to professional standards.

Technical drawing



Series, retaining heights of water and article numbers

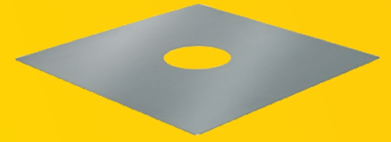
Retaining element for series	Head of water (mm)	Article number
SitaDSS Profi, SitaDSS Profi screw-on flange, SitaSani® 160 DSS, SitaSani® 160 DSS screw-on flange	25-105	14 90 01

Drainage capacities in l/s to DIN EN 1253

Size DN	OD*	Head of water (mm)										
		5	10	15	20	25	30	35	40	45	50	55
56	56	0.9	2.2	3.5	5.2	6.9	8.2	8.2	8.2	8.2	8.2	8.2
70	75	1.0	2.1	3.6	5.6	7.4	10.6	13.6	17.0	17.1	17.1	17.2

*OD =Outer diameter (mm)

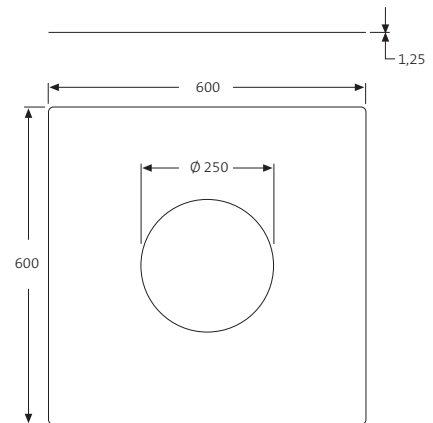
SitaMore reinforcement plate



Tender text

SitaMore reinforcement plate, to DIN 18807 made of galvanised sheet steel. Thickness 1.25 mm, to reinforce small penetrations in the trapezoidal steel sheet, supply and install expertly.

Technical drawing



Model and article number

For model	Article number
SitaDSS Profi, SitaDSS Profi screw-on flange, SitaDSS Multi	10 90 00

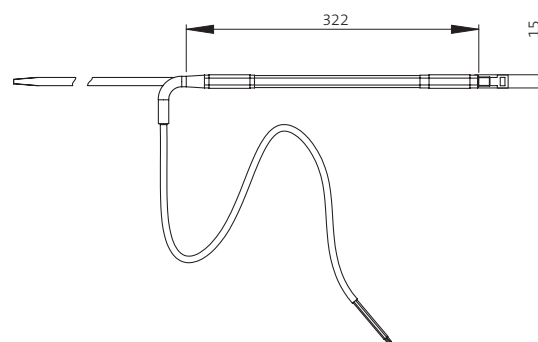
SitaMore safety heating system



Tender text

SitaMore pipe sleeve heating, for heating roof outlets and pipes, self-regulating PTC heating element with a heat rating of approx. 10 W at -20 °C and 230 V, with two cable ties for easy securing to pipes or roof outlets. No transformer required. Supply and installation to professional standards.

Technical drawing



Power supply and article number

Power supply	Heat rating at -20°C	Article number
230 V	approx. 10 W	10 90 35

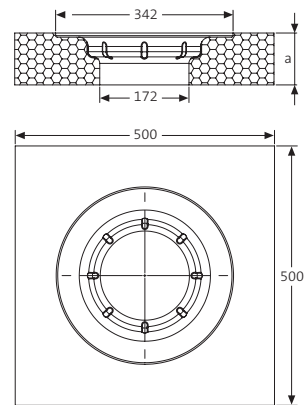
SitaDSS Profi insulating body for extension unit



Tender text

SitaDSS Profi insulating body for extension unit, made of polyurethane, for easy bonding to the vapour barrier, without mechanical fastening of the extension unit by bonding to the insulation body, for example with Terokal insulation adhesive TK 395, size 500 x 500 x 100 mm or 500 x 500 x 60 mm, thermal conductivity $\Lambda = 0.025 \text{ W/mK}$, compressive strength 200 kPa, density approx. 50 kg/m^3 , as an installation aid and thermal insulation for the prevention of thermal bridges. Supply and installation to professional standards.

Technical drawing

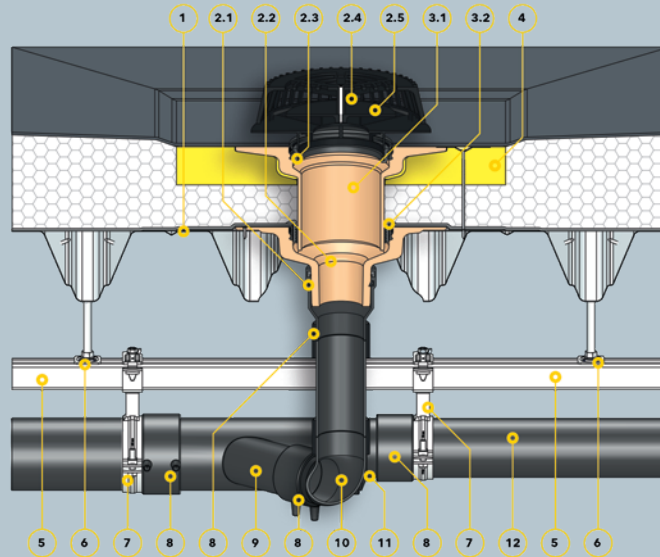


Series, dimensions and article numbers

For series	a (mm)	Article number
SitaDSS Profi extension unit	100	14 50 05
	60	14 50 06

SitaDSS Profi

SitaDSS Profi in a non-ventilated roof structure



Components

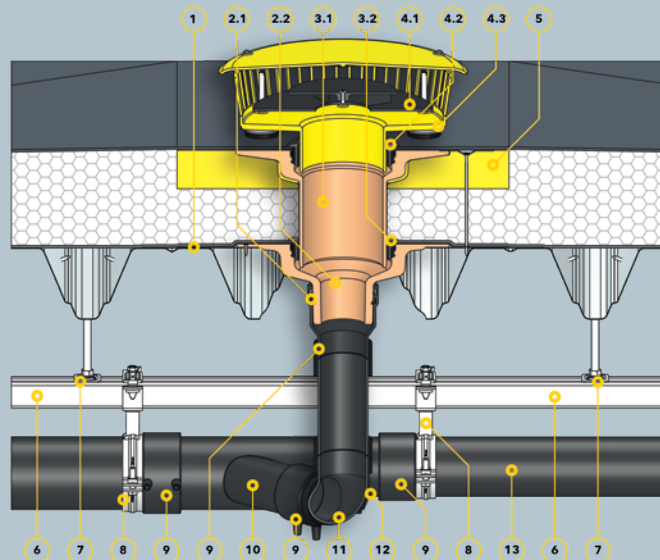
- | | |
|---|---|
| <p>1 SitaMore reinforcement plate</p> <p>SitaDSS Profi consisting of:</p> <p>2.1 PE socket with with snap ring</p> <p>2.2 Base body</p> <p>2.3 Fixing ring for Airstop</p> <p>2.4 Dome grate</p> <p>2.5 Airstop</p> <p>SitaDSS Profi extension unit consisting of:</p> <p>3.1 Base body</p> <p>3.2 Sealing ring</p> <p>4 SitaDSS Profi insulating body for</p> | <p>extension unit</p> <p>5 SitaDSS Rail mounting rail</p> <p>6 SitaDSS Rail suspension unit</p> <p>7 SitaDSS Clamp</p> <p>8 SitaDSS PE electrofusion socket</p> <p>9 SitaDSS PE branch</p> <p>10 SitaDSS PE bend</p> <p>11 SitaDSS PE reduction piece</p> <p>12 SitaDSS PE pipe</p> |
|---|---|

Roof structure

- Non-ventilated roof structure to the general rules of engineering with:**
- + Waterproofing
 - + Thermal insulation
 - + Vapour barrier
 - + Substructure

SitaDSS Profi

SitaDSS Profi with SitaDSS Profi retaining element for emergency drainage in a non-ventilated roof structure



Components

- | | |
|---|---|
| <p>1 SitaMore reinforcement plate</p> <p>SitaDSS Profi consisting of:</p> <p>2.1 PE socket with snap ring</p> <p>2.2 Base body</p> <p>SitaDSS Profi extension unit consisting of:</p> <p>3.1 Base body</p> <p>3.2 Sealing ring</p> <p>SitaDSS Profi retaining element consisting of:</p> <p>4.1 Airstop</p> <p>4.2 Sealing ring</p> <p>4.3 Base body</p> | <p>5 SitaDSS Profi insulating body for extension unit</p> <p>6 SitaDSS Rail mounting rail</p> <p>7 SitaDSS Rail suspension unit</p> <p>8 SitaDSS Clamp</p> <p>9 SitaDSS PE electrofusion socket</p> <p>10 SitaDSS PE branch</p> <p>11 SitaDSS PE bend</p> <p>12 SitaDSS PE reduction piece</p> <p>13 SitaDSS PE pipe</p> |
|---|---|

Roof structure

- Non-ventilated roof structure to the general rules of engineering with:**
- + Waterproofing
 - + Thermal insulation
 - + Vapour barrier
 - + Substructure