

SitaFireguard® Conventional Drainage

Versatile and simple.
Fire protection in a set.



- + For preventive fire safety to DIN 18234
- + As a full set it provides an easy and safe installation
- + Small roof penetrations by streamlined design of the PE-base body
- + With integrated selected connection sleeve or loose-fixed flange construction
- + For main and emergency rainwater roof drainage



SitaFireguard®
with dome grate



SitaFireguard®
with retaining element



SitaFireguard®
screw-on flange
with dome grate



SitaFireguard®
screw-on flange
with retaining element

SitaFireguard®

Product features at a glance:

Product features

Areas of use	For main and emergency drainage to DIN EN 12056-3 and DIN 1986-100 of conventional drainage and for the preventive fire safety for flat roofs to DIN 18234
Material	Steel sheet, polyethylene and polyurethane
Connection type	Vapour barrier level with screw-on flange waterproofing with integrated selected connection sleeve or loose-fixed flange construction
Temperature resistance min.	-20 °C
General characteristics	Clean, no bubbles, cavities, cracks or the like
Properties	<ul style="list-style-type: none">+ Excellent weather resistance (UV/IR radiation)+ Resistant to normal environmental effects+ Impact and shock resistant+ Durable
Workmanship	The general rules of engineering as well as the installation examples and installation instruction of Sita Bauelemente GmbH form the basis. The installation examples are for illustration purposes only and are a general, non-binding recommendation. The design is shown in schematic form only and does not replace the necessary work, detail and installation planning by the contractor. The customer, planner, contractor, etc. is responsible for checking the suitability, completeness and dimensions for the project and adjusting or tailoring the components to suit local requirements. Neighbouring works are shown in schematic form with no guarantee of their being complete or correct. The technical specifications in the information sheets, workmanship guidelines and system permits must be adhered to.

Quality marks



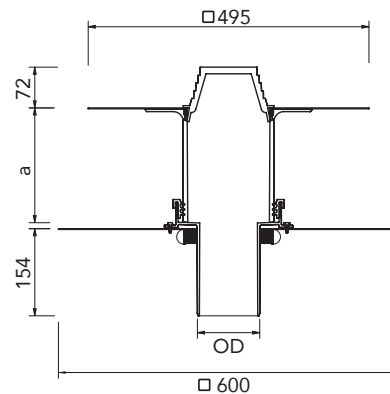
SitaFireguard® with dome grate



Tender text

SitaFireguard® with dome grate, for preventive fire safety and to prevent the spread of fire from below with small penetrations to DIN 18234 part 3 and 4, two-part, consisting of: PE-base body, collar for fixing to the reinforcement plate and for clamping the vapour barrier, to DIN EN 1253-2 with enhanced quality standard to RAL quality mark GZ-694. Including extension unit for insulation thicknesses of 65 mm - 210 mm or 105 mm - 570 mm, made from PUR, with integrated selected connection sleeve and dome grate. For direct connection to pipes with a socket, for conventional drainage, with sealing sleeve and reinforcement plate to DIN 18807, with pre-assembled fire protection sleeve, supply and installation to professional standards.

Technical drawing



Nominal diameters, dimensions and article numbers

Size DN	OD*	a (mm)	Insulation thickness from - to (mm)	Drill hole (mm)	Recess dimension (mm x mm)	Article number
70	75	200	65 - 210	∅185	150 x 150	F3027xx
		550	105 - 570	∅185	150 x 150	F3028xx
100	110	200	65 - 210	∅235	190 x 190	F3031xx
		550	105 - 570	∅235	190 x 190	F3032xx
125	125	200	65 - 210	∅255	200 x 200	F3035xx
		550	105 - 570	∅255	200 x 200	F3036xx
150	160	200	65 - 210	∅300	300 x 300	F3039xx
		550	105 - 570	∅300	300 x 300	F3040xx

*OD = Outer diameter (mm)

Drainage capacities in l/s to DIN EN 1253

DN	Head of water (mm)																			
	5	10	15	20	25	30	35	40	45	50	55	60	65	70	75	80	85	90	95	100
70	1,0	1,8	2,7	3,3	4,3	5,0	5,7	6,7	7,4	8,3	9,1	9,6	10,4	11,0	11,6	12,6	13,4	14,8	16,0	
100	0,7	1,3	2,3	3,0	4,0	4,8	5,6	6,4	7,2	8,0	8,8	9,6	10,4	11,2	12,0	14,0	16,6	18,0	20,0	23,0
125	0,5	1,2	2,0	2,9	3,6	4,7	5,5	6,3	7,3	8,3	9,2	10,0	11,0	12,0	13,2	14,9	16,6	18,0	21,0	24,9
150	0,7	1,3	2,3	3,0	4,0	4,8	5,6	6,4	7,2	8,1	8,9	9,7	10,4	11,2	12,0	13,1	14,7	16,0	16,9	17,8

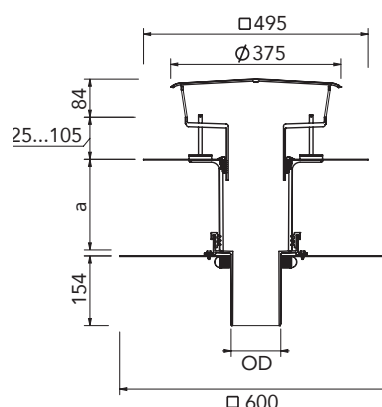
SitaFireguard® with retaining element



Tender text

SitaFireguard® with retaining element, for preventive fire safety and to prevent the spread of fire from below with small penetrations to DIN 18234 part 3 and 4, two-part, consisting of: PE-base body, collar for fixing to the reinforcement plate and for clamping the vapour barrier, to DIN EN 1253-2 with enhanced quality standard to RAL quality mark GZ-694. Including extension unit for insulation thicknesses of 65 mm - 210 mm or 105 mm - 570 mm, made from PUR, with integrated selected connection sleeve and signal yellow retaining element. For direct connection to pipes with a socket, for conventional drainage, with sealing sleeve and reinforcement plate to DIN 18807, with pre-assembled fire protection sleeve, supply and installation to professional standards.

Technical drawing



Nominal diameters, dimensions and article numbers

Size DN	OD*	a (mm)	Insulation thickness from - to (mm)	Drill hole (mm)	Recess dimension (mm x mm)	Article number
70	75	200	65 - 210	∅185	150 x 150	F3029xx
		550	105 - 570	∅185	150 x 150	F3030xx
100	110	200	65 - 210	∅235	190 x 190	F3033xx
		550	105 - 570	∅235	190 x 190	F3034xx
125	125	200	65 - 210	∅255	200 x 200	F3037xx
		550	105 - 570	∅255	200 x 200	F3038xx
150	160	200	65 - 210	∅300	300 x 300	F3041xx
		550	105 - 570	∅300	300 x 300	F3042xx

*OD = Outer diameter (mm)

Drainage capacities in l/s to DIN EN 1253

DN	Head of water (mm)														
	5	10	15	20	25	30	35	40	45	50	55	60	65	70	75
70	0,9	2,3	3,4	4,8	6,0	7,2	8,7	10,3	11,6	12,4	12,9	13,5	14,0	16,2	16,5
100	1,0	2,2	3,3	4,5	5,7	7,1	8,6	10,0	11,5	13,4	15,4	17,4	20,0	28,0	
125	1,0	2,2	3,3	4,6	6,0	7,4	8,9	10,5	12,0	13,5	15,4	18,0	22,0	28,0	
150	0,8	1,5	2,0	4,6	6,0	7,4	8,7	10,0	11,4	13,1	15,0	16,6	18,0	28,0	

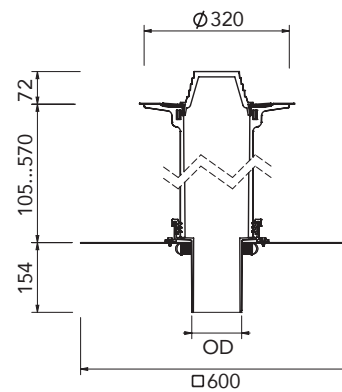
SitaFireguard® Screw-on flange with dome grate



Tender text

SitaFireguard® Screw-on flange with dome grate, for preventive fire safety and to prevent the spread of fire from below with small penetrations to DIN 18234 part 3 and 4, two-part, consisting of: PE-base body, collar for fixing to the reinforcement plate and for clamping the vapour barrier, to DIN EN 1253-2 with enhanced quality standard to RAL quality mark GZ-694. Including extension unit for insulation thicknesses of 105 mm - 570 mm, made from PUR, with loose-fixed flange construction and dome grate. For direct connection to pipes with a socket, for conventional drainage, with sealing sleeve and reinforcement plate to DIN 18807, with pre-assembled fire protection sleeve, supply and installation to professional standards.

Technical drawing



Nominal diameters, dimensions and article numbers

Size DN	OD*	Insulation thickness from - to (mm)	Drill hole (mm)	Recess dimension (mm x mm)	Article number
70	75	105 - 570	ø 185	150 x 150	F302899
100	110	105 - 570	ø 235	190 x 190	F303299
125	125	105 - 570	ø 255	200 x 200	F303699
150	160	105 - 570	ø 300	300 x 300	F304099

*OD = Outer diameter (mm)

Drainage capacities in l/s to DIN EN 1253

DN	Head of water (mm)																			
	5	10	15	20	25	30	35	40	45	50	55	60	65	70	75	80	85	90	95	100
70	1,0	1,8	2,7	3,3	4,3	5,0	5,7	6,7	7,4	8,3	9,1	9,6	10,4	11,0	11,6	12,6	13,4	14,8	16,0	
100	0,7	1,3	2,3	3,0	4,0	4,8	5,6	6,4	7,2	8,0	8,8	9,6	10,4	11,2	12,0	14,0	16,6	18,0	20,0	23,0
125	0,5	1,2	2,0	2,9	3,6	4,7	5,5	6,3	7,3	8,3	9,2	10,0	11,0	12,0	13,2	14,9	16,6	18,0	21,0	24,9
150	1,0	1,5	2,5	3,1	4,4	5,2	6,8	8,1	9,3	11,0	12,9	14,9	16,5	17,7	18,4	19,5	20,0	21,1	22,0	

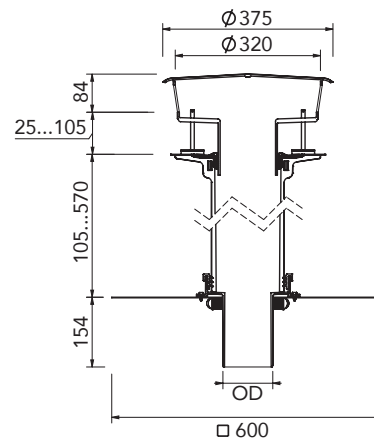
SitaFireguard® Screw-on flange with retaining element



Tender text

SitaFireguard® Screw-on flange with retaining element, for preventive fire safety and to prevent the spread of fire from below with small penetrations to DIN 18234 part 3 and 4, two-part, consisting of: PE-base body, collar for fixing to the reinforcement plate and for clamping the vapour barrier, to DIN EN 1253-2 with enhanced quality standard to RAL quality mark GZ-694. Including extension unit for insulation thicknesses of 105 mm - 570 mm, made from PUR, with loose-fixed flange construction and yellow retaining element. For direct connection to pipes with a socket, for conventional drainage, with sealing sleeve and reinforcement plate to DIN 18807, with pre-assembled fire protection sleeve, supply and installation to professional standards.

Technical drawing



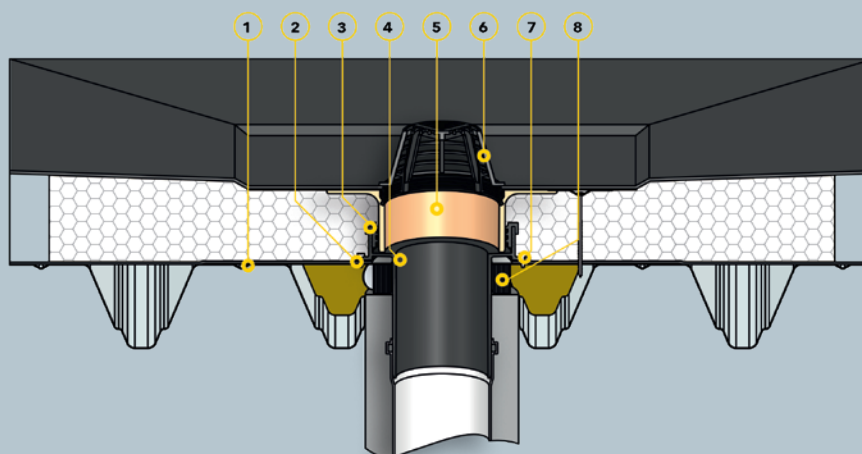
Nominal diameters, dimensions and article numbers

Size DN	OD*	Insulation thickness from - to (mm)	Drill hole (mm)	Recess dimension (mm x mm)	Article number
70	75	105 - 570	ø 185	150 x 150	F303099
100	110	105 - 570	ø 235	190 x 190	F303499
125	125	105 - 570	ø 255	200 x 200	F303899
150	160	105 - 570	ø 300	300 x 300	F304299

*OD = Outer diameter (mm)

Drainage capacities in l/s to DIN EN 1253

DN	Head of water (mm)														
	5	10	15	20	25	30	35	40	45	50	55	60	65	70	75
70	0,9	2,3	3,4	4,8	6,0	7,2	8,7	10,3	11,6	12,4	12,9	13,5	14,0	16,2	16,5
100	1,0	2,2	3,3	4,5	5,7	7,1	8,6	10,0	11,5	13,4	15,4	17,4	20,0	28,0	
125	1,0	2,2	3,3	4,6	6,0	7,4	8,9	10,5	12,0	13,5	15,4	18,0	22,0	28,0	
150	0,8	1,5	2,0	4,6	6,0	7,4	8,7	10,0	11,4	13,1	15,0	16,6	18,0	28,0	

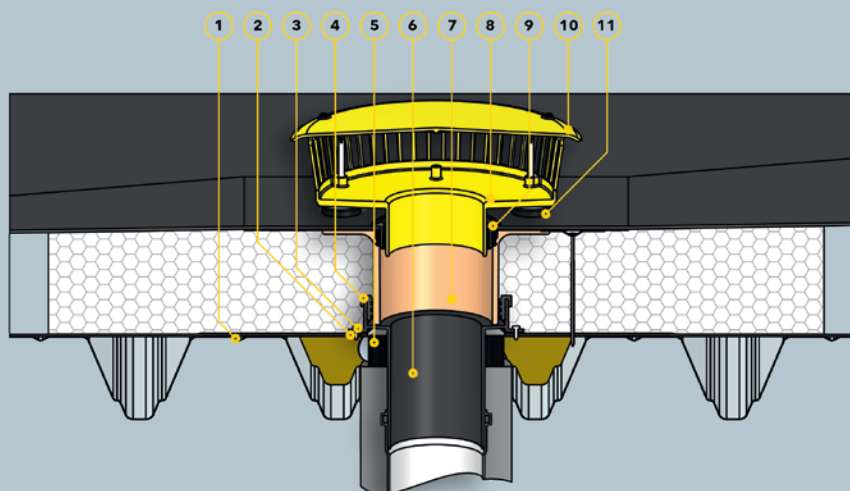


Components

SitaFireguard® with extension unit consisting of:	
1	Reinforcement plate
2	Sealing sleeve
3	Seal
4	PE-base body
5	Extension unit
6	Dome grate
7	Drilling screw
8	Fire protection sleeve

Roof structure

- Non-ventilated roof structure to the general rules of engineering with:**
- + Waterproofing
 - + Thermal insulation, non-flammable, min. 1,00 x 1,00 m
 - + Vapour barrier
 - + Non-flammable profile filling
 - + Trapezoidal steel sheet



Components

SitaFireguard® for emergency drainage with extension unit, consisting of:	
1	Reinforcement plate
2	Sealing sleeve
3	Drilling screw
4	Seal
5	Waterproofing membrane
6	PE-base body
7	Extension unit
8	Retaining element base body
9	Sealing ring
10	Retaining element lid
11	height-adjustable feet

Roof structure

- Non-ventilated roof structure to the general rules of engineering with:**
- + Waterproofing
 - + Thermal insulation, non-flammable, min. 1,00 x 1,00 m
 - + Vapour barrier
 - + Non-flammable profile filling
 - + Trapezoidal steel sheet