



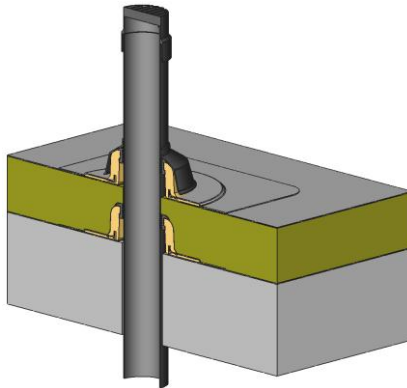




Für gutes Wetter im Bau.

Fitting instructions for all

SitaVent pipe systems and accessoires

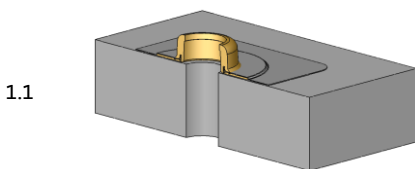




# Contents

1. SitaVent pipe system .....	0
2. SitaRenovation ventilator .....	3

## 1. SitaVent pipe system

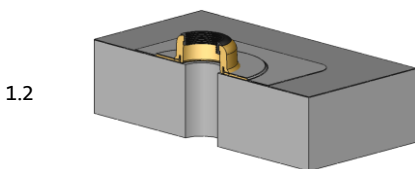


Place the SitaVent pipe system base plate centered over the roof opening of the roof construction and fix it mechanically.

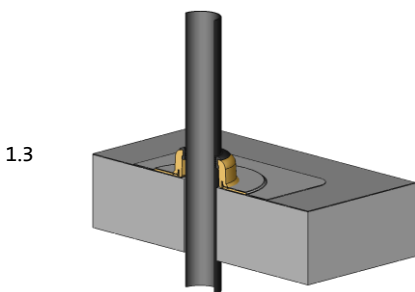
Penetration [mm]

SitaVent pipe system DN 100  $\phi$  120

SitaVent pipe system DN 150  $\phi$  170



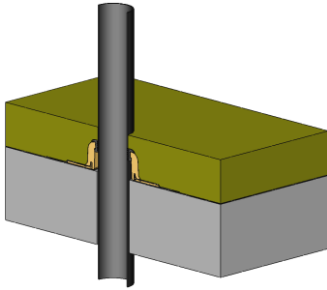
Glue or weld the roof track with the connection sleeve of the base plate.  
Insert the enclosed sealing ring into the upper end of the base plate and reap it from the inside with lubricate.



Reap the PE-pipe from the outside with lubricate and push it through the sealing ring of the installed base plate to the desired height.

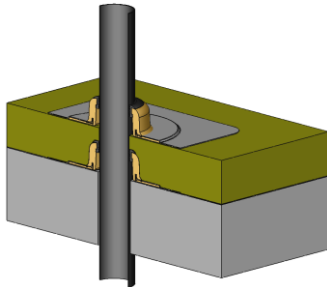
## Fitting instruction

1.4



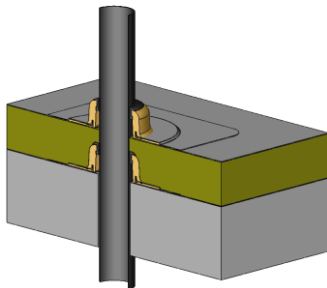
Cut the negative of the base plate into the thermal insulation and mount the thermal insulation.

1.5



Insert the sealing ring into the base plate. Reap the built-in PE-pipe from the outside and the sealing ring from the inside with lubricant and slide the base plate from the top over the connecting pipe. Fix the base plate mechanically to the roof construction.

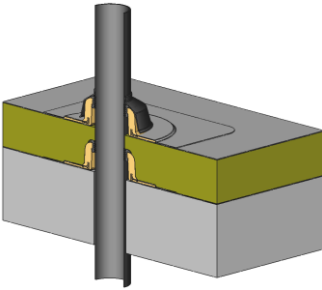
1.6



Glue or weld the roof sealing with the base plate connection sleeve.

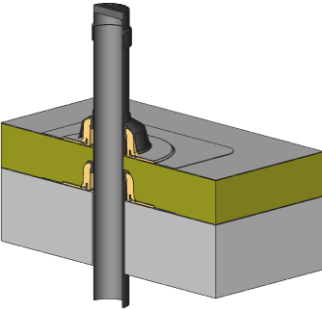
## Fitting instruction

1.7



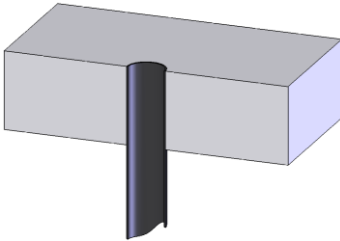
Slide the rain deflector from the top over the PE-pipe up to the base plate.

1.8

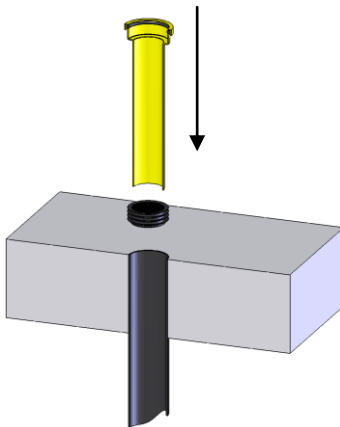


When using the rain cover or the protective grating, set the fixing ring on the installed PE-pipe and postpone the rain cover without lubricant or the protective grating with lubricant.

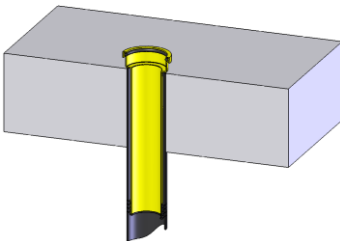
## 2. SitaRenovation ventilator



To be renovated ventilator pipe DN 100 without plug-in coupler.

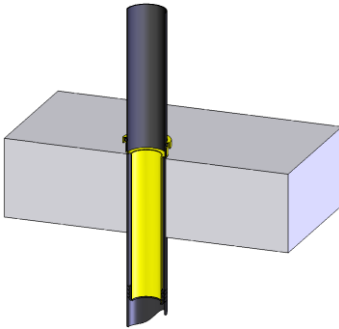


Define the needed length of the SitaRedevelopment adapter and shorten it if necessary.  
Put on the spigot end of the SitaRedevelopment adapter the enclosed multiple lipped sealing ring and reap the sealing ring from the outside with lubricate.

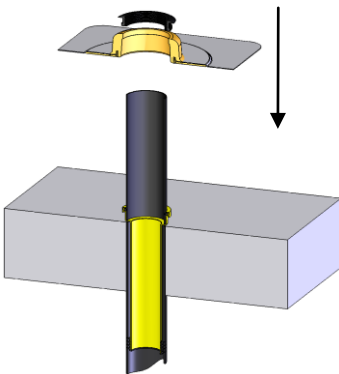


Reap the inside of the to be renovated pipe with lubricate and insert the SitaRedevelopment adapter from above.

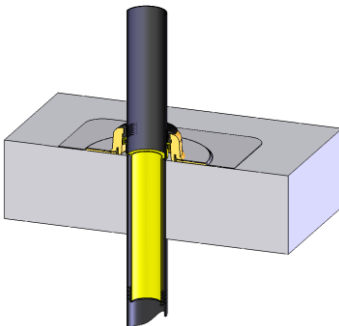
## Fitting instruction



Insert the SitaVent pipe system PE-pipe into the coupler of the Sita Redevelopment adapter by using lubricate.

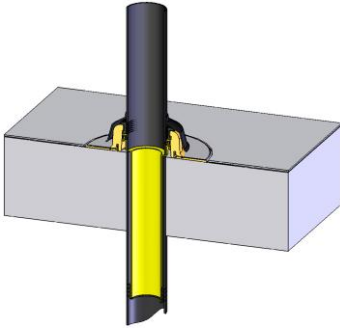


Insert the sealing ring into the SitaVent pipe system base plate. Reap the installed PE-pipe from the outside as well as the sealing ring from the inside with lubricant and postpone it from above over the connection pipe. Fix the base plate mechanically with the roof construction.

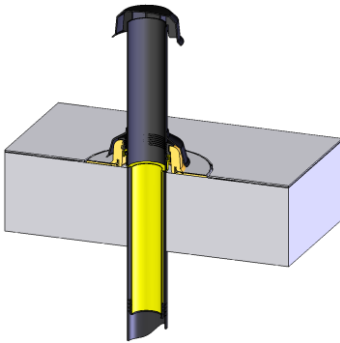


Weld or glue the roof sealing with the base plate connection sleeve.

## Fitting instruction



Postpone the rain deflector from above over the PE-pipe up to the base plate.



During the insertion of the rain cover or the protective grating, the fixing ring needs to be put on the installed PE-pipe and postpone the rain cover without lubricate or the protective grating with lubricant.

## Fitting instruction

Notes:



Sita Bauelemente GmbH  
Ferdinand-Braun-Straße 1  
D-33378 Rheda-Wiedenbrück  
Phone +49 (0) 2522-8340-0 o Fax +49 (0) 2522-8340-100  
E-Mail: [info@sita-bauelemente.de](mailto:info@sita-bauelemente.de) o [www.sita-bauelemente.com](http://www.sita-bauelemente.com)



Valid: 07.2011

Subject to technical changes, even without notice.