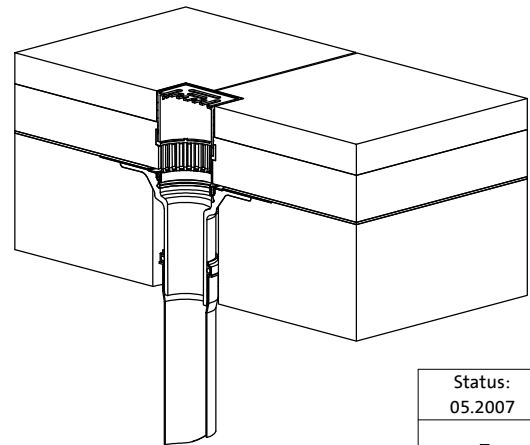


- 1) Substructure
- 2) Roof covering acc. to flat roof guidelines
- 3) Gravel bed
- 4) Paving slabs
- 5) SitaCompact balcony outlet grating
- 6) SitaCompact balcony outlet



Status: 05.2007	Scale: 1:4	SitaCompact balcony outlet and SitaCompact balcony outlet grating, in a roof surface with paving slabs, laid on a gravel bed.