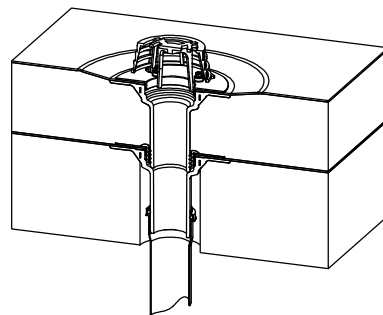


- 1) Substructure
- 2) Vapour barrier
- 3) Thermal insulation
- 4) Roof covering acc. to flat roof guidelines
- 5) Sita dome grate
- 6) SitaCompact screw-on-flange extension unit
- 7) SitaCompact screw-on-flange Balkongully



Status: 10.2007	Scale: 1:4	SitaCompact screw-on-flange balcony outlet with SitaCompact screw-on-flange extension unit in an unventilated roof (warm roof).