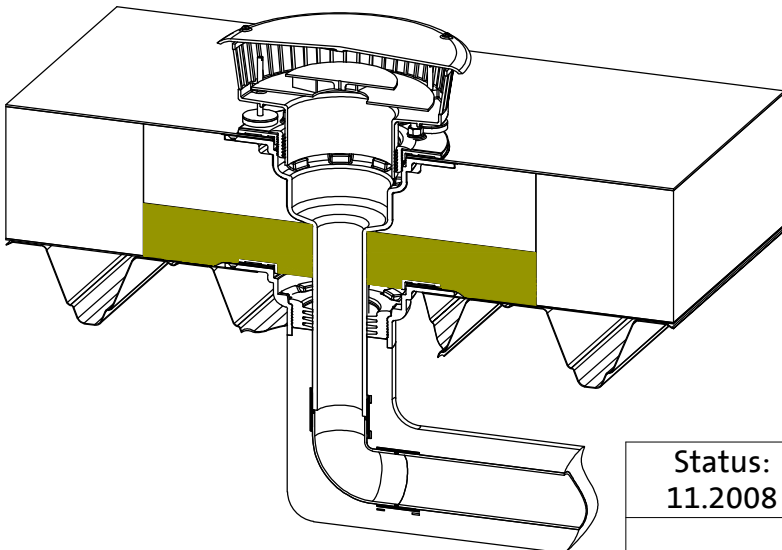


- 1) Substructure
- 2) Vapour barrier
- 3) Thermal insulation
- 4) Roof covering acc. to flat roof guidelines
- 5) SitaMulti insulating body type B
- 6) Sitaretaining element with rain cover
- 7) SitaDSS Multi syphonic roof outlet
- 8) SitaDSS Multi ground plate
- 9) SitaReinforcement sheet
- 10) Connected SML-pipe



Status: 11.2008	Scale: 1:7	SitaDSS Multi syphonic roof outlet with ground plate, retaining element for emergency drainage and insulating body in an unventilated flat roof (warm roof).