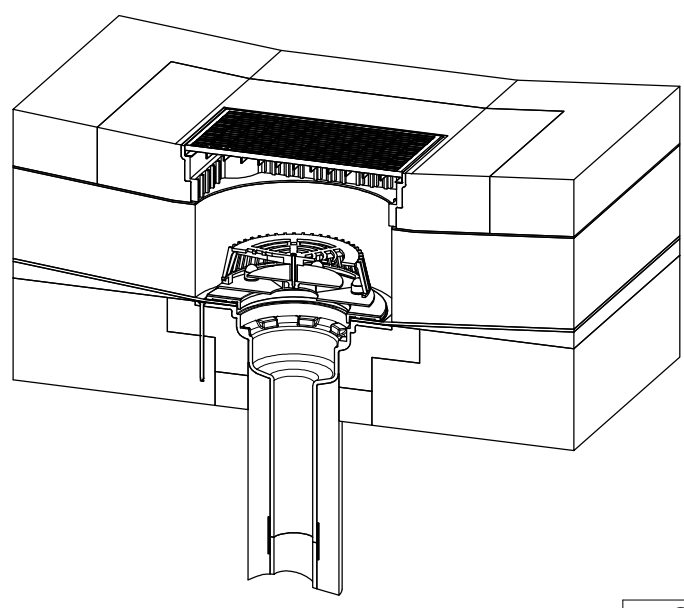



- 1) Substructure
- 2) Sloping screed
- 3) Roof covering acc. to flat roof guidelines
- 4) Thermal insulation
- 5) protection fleece
- 6) Dome grate
- 7) Rain cover
- 8) Sita green roof shaft
- 9) SitaDSS Multi roof outlet
- 10) Gravel strip
- 11) SitaMulti insulating body type A
- 12) SitaMulti compensating ring for insulating body type A
- 13) Greening



|  |               |   |
|--|---------------|---|
| Status:<br>08.2009   | Scale:<br>1:7 | SitaDSS Multi roof outlet with dome grate, rain cover                         |
|  |               | insulating bodys and Sita green roof shaft in an inverted roof with greening. |