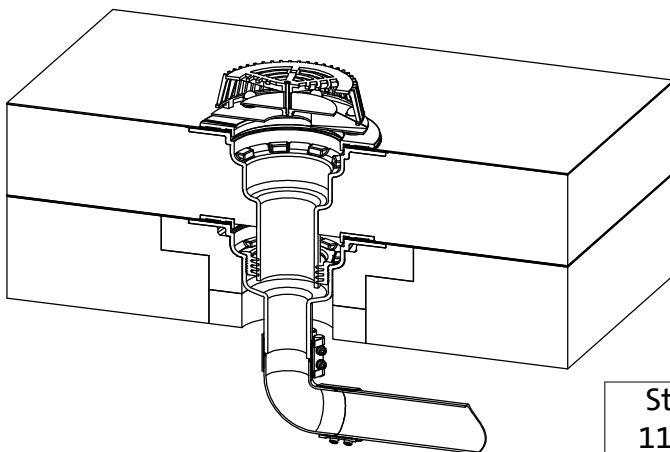


- 1) Substructure
- 2) Vapour barrier
- 3) Thermal insulation
- 4) Roof covering acc. to flat roof guidelines
- 5) SitaMulti compensating ring for insulating body type A
- 6) SitaMulti insulating body type A
- 7) SitaDSS rain cover with dome grate
- 8) SitaDSS Multi extension unit
- 9) SitaDSS Multi syphonic roof outlet
- 10) Connected SML-pipe



Status:
11.2008

Scale:
1:7

SitaDSS Multi
syphonic roof outlet
with extension unit and
foam glass bodies
in an unventilated
roof (warm roof).

sita 