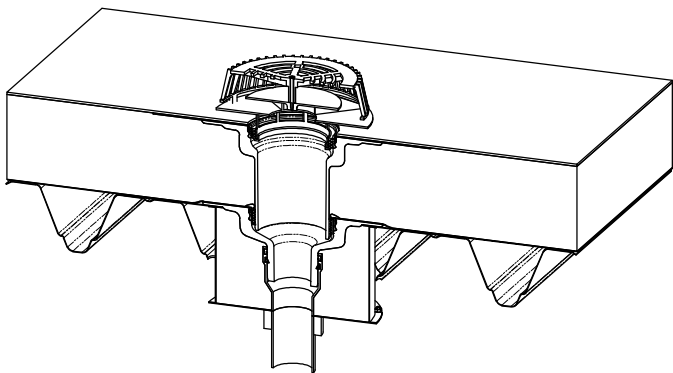


- 1) Trapezoidal steel profile
- 2) Vapour barrier for
DIN 18234-2 constructions
- 3) Non-flammable thermal insulation
- 4) Roof covering acc. to
flat roof guidelines
- 5) Non-flammable full bead filler
- 6) Sita DSS Profi extension unit
- 7) SitaAirstop with dome grate
- 8) SitaFiresafe® with SitaDSS Profi
syphonic roof outlet
consisting of:
 - a) Non-flammable thermal insulation
 - b) Fire protection box with
integrated reinforcement sheet
 - c) Fire protection sleeve
 - d) Connection pipe



Status:
11.2007

Scale:
1:7

SitaFiresafe® with SitaDSS Profi
syphonic roof outlet according to
DIN 18234, installed on an
unventilated roof with
trapezoidal steel profiles
(warm roof).

sita 