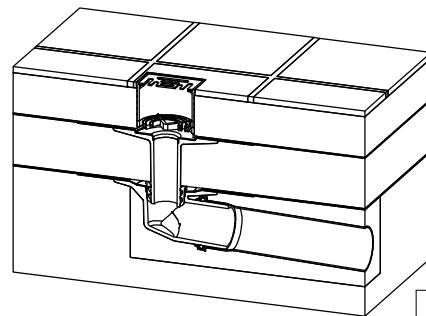


- 1) Substructure
- 2) Vapour barrier
- 3) Thermal insulation
- 4) Roof covering acc. to flat roof guidelines
- 5) SitaMini balcony outlet grating
- 6) Sita round filter
- 7) SitaMini extension unit
- 8) SitaMini balcony outlet
- 9) Screed
- 10) Ceramic tiling



Status: 08.2007	Scale: 1:4	SitaMini balcony outlet with SitaMini extension unit and SitaMini balcony outlet grating in an unventilated roof (warm roof).