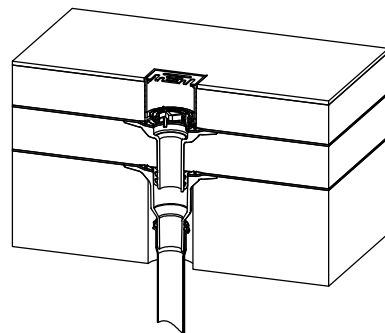


- 1) Substructure
- 2) Vapour barrier
- 3) Thermal insulation
- 4) Roof covering acc. to flat roof guidelines
- 5) Ceramic tiling on screed
- 6) SitaMini balcony outlet grating
- 7) SitaMini round filter
- 8) SitaMini screw-on-flange extension unit
- 9) SitaMini screw-on-flange balcony outlet
- 10) Connection pipe



Status:
10.2007

Scale:
1:4

SitaMini screw-on-flange balcony outlet with extension unit and balcony outlet grating in a walkable roof.

