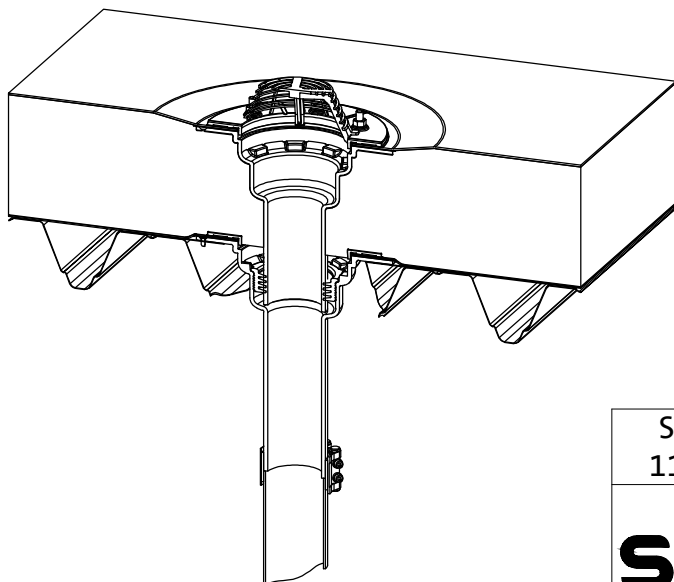


- 1) Substructure
- 2) Vapour barrier
- 3) Thermal insulation
- 4) Roof covering acc. to flat roof guidelines
- 5) SitaReinforcement sheet
- 6) Sita dome grate
- 7) SitaMulti extension unit
- 8) SitaMulti roof outlet
- 9) SML-pipe



Status: 11.2008	Scale: 1:7	SitaMulti roof outlet with extension unit in an unventilated roof (warm roof).