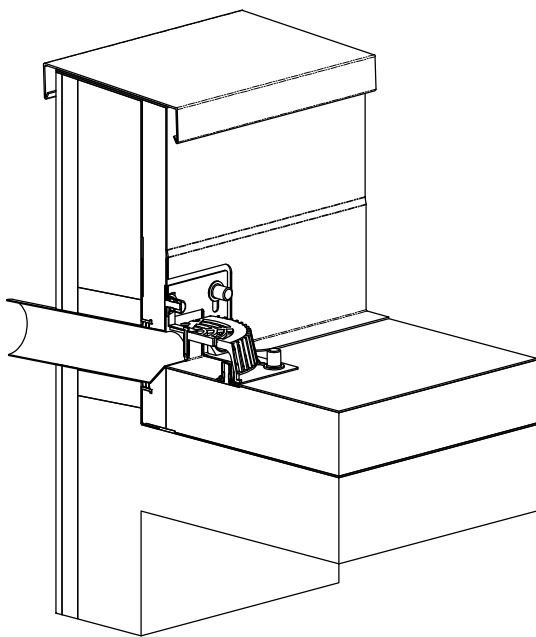


- 1) Sita steam vapour barrier flex
- 2) SitaRondo parapet outlet
- 3) Sita dome grate
- 4) Roof covering acc. to flat roof guidelines
- 5) Thermal insulation
- 6) Vapour barrier
- 7) Substructure



Status: 01.2011	Scale: 1:8	SitaRondo parapet outlet and Sita steam vapour barrier flex installed in an insulated parapet in an unventilated roof (warm roof).