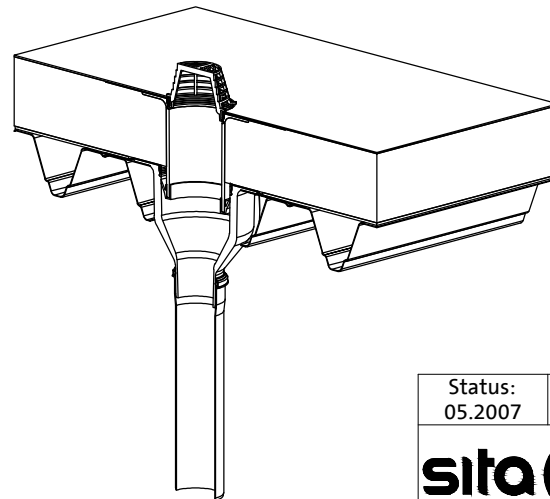


- 1) Existing roof construction
- 2) Roof covering acc. to flat roof guidelines
- 3) SitaSani® 165 PUR
- 4) Sita dome grate



Status: 05.2007	Scale: 1:7	Renovation of an existing construction with roof outlet extension element. Extension unit removed and replaced by a SitaSani® 165 PUR.
