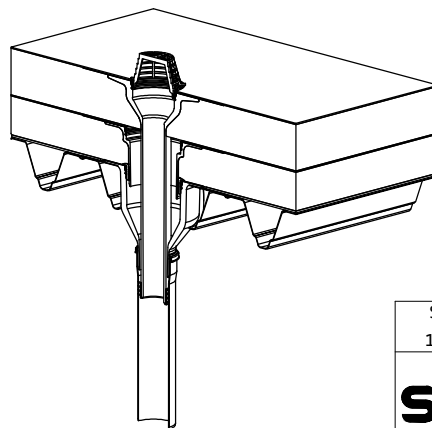



- 1) Existing roof construction
- 2) Additional thermal insulation for energy saving regulations
- 3) Roof covering acc. to flat roof guidelines
- 4) SitaSani® 90 Spezial
- 5) Sita dome grate
- 6) Multiple lipped sealing ring



Status: 11.2010	Scale: 1:7	Renovation of an existing roof construction and extension unit.
		Additional thermal insulation and bridging of the old roof construction with a SitaSani® 90 Spezial up to the downpipe DN 100.