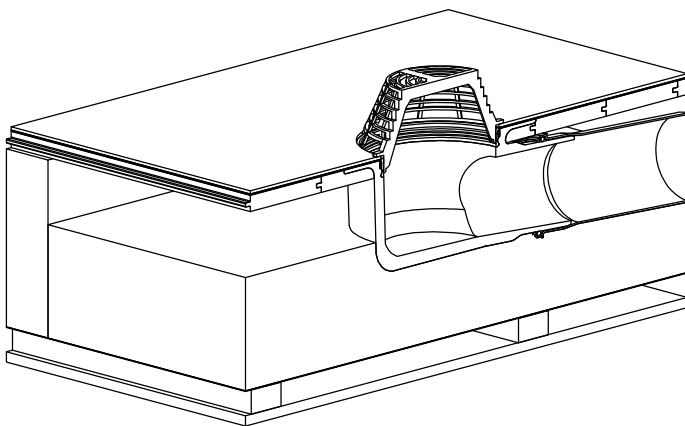


- 1) Substructure
- 2) Roof covering acc. to flat roof guidelines
- 3) SitaStandard roof outlet
- 4) Sita dome grate
- 5) Thermal insulation



Status: 01.2007	Scale: 1:5	SitaStandard roof outlet, angled, with dome grate in a ventilated roof (cold roof).
<b>sita</b> 