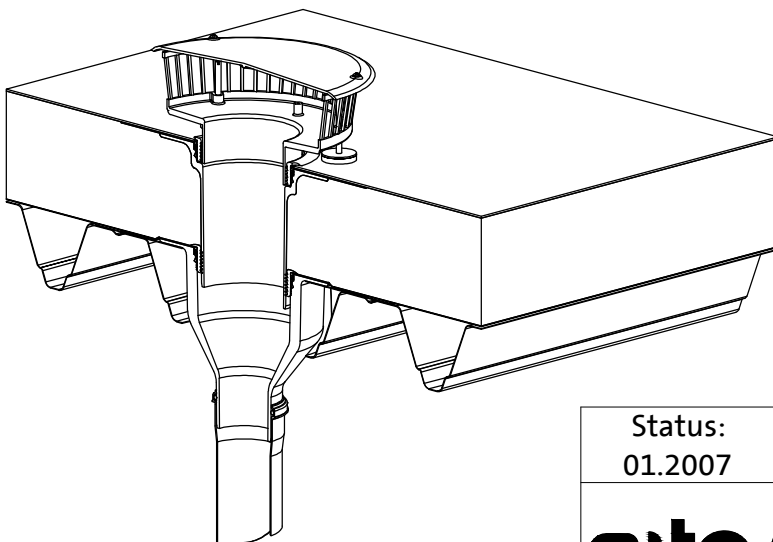


- 1) Substructure
- 2) Vapour barrier
- 3) Thermal insulation
- 4) Roof covering acc. to flat roof guidelines
- 5) SitaStandard roof outlet
- 6) SitaRetaining element
- 7) SitaStandard extension unit
- 8) SitaReinforcement sheet



Status: 01.2007	Scale: 1:6	SitaStandard roof outlet, vertical, with extension unit and retaining element for emergency drainage in an unventilated roof (warm roof).