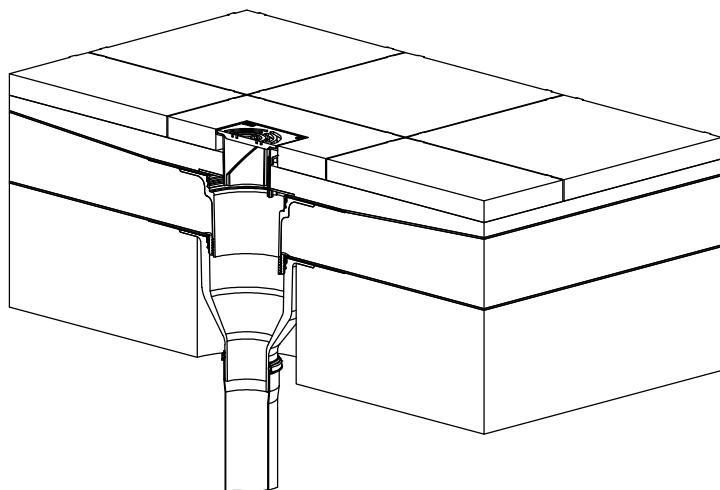


- 1) Substructure
- 2) Vapour barrier
- 3) Thermal insulation
- 4) Roof covering acc. to flat roof guidelines
- 5) Gravel bed
- 6) Paving
- 7) Sita terrace installation kit
- 8) SitaStandard extension unit
- 9) SitaStandard roof outlet



Status: 01.2007	Scale: 1:8	SitaStandard roof outlet, vertical, with extension unit and terrace installation unit in an unventilated flat roof (warm roof).