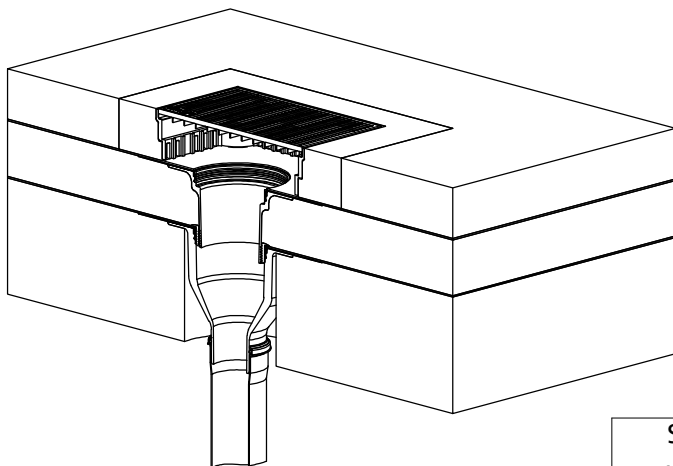


- 1) Substructure
- 2) Vapour barrier
- 3) Thermal insulation
- 4) Roof covering acc. to flat roof guidelines
- 5) Gravel strip
- 6) Sita green roof shaft
- 7) SitaStandard extension unit
- 8) SitaStandard roof outlet
- 9) Connection pipe
- 10) Greening



Status:
11.2007

Scale:
1:8

SitaStandard roof outlet,
vertical, with extension unit
and Sita green roof shaft in an
unventilated roof (warm roof).

sita