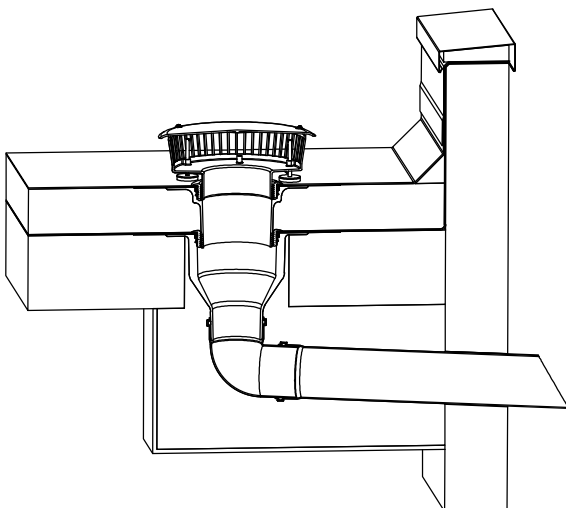


- 1) Substructure
- 2) Vapour barrier
- 3) Thermal insulation
- 4) Roof covering acc. to flat roof guidelines
- 5) SitaRetaining element
- 6) SitaStandard extension unit
- 7) SitaStandard roof outlet
- 8) Connection pipe with free outlet
- 9) Insulation against condensation



Status:
11.2007

Scale:
1:8

SitaStandard roof outlet,
vertical, with extension unit
and SitaRetaining element in an
unventilated roof (warm roof).

sita 