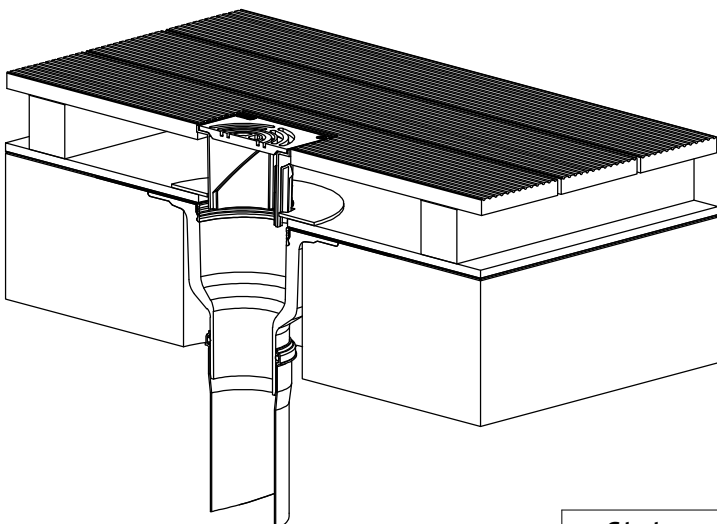


- 1) Concrete substructure
- 2) Roof covering acc. to flat roof guidelines
- 3) Protection layer
- 4) Sita terrace installation kit
- 5) SitaTrendy roof outlet, vertical
- 6) Walkable roof covering



Status: 01.2007	Scale: 1:5	SitaTrendy roof outlet with terrace installation kit build in a roof with walkable covering.
