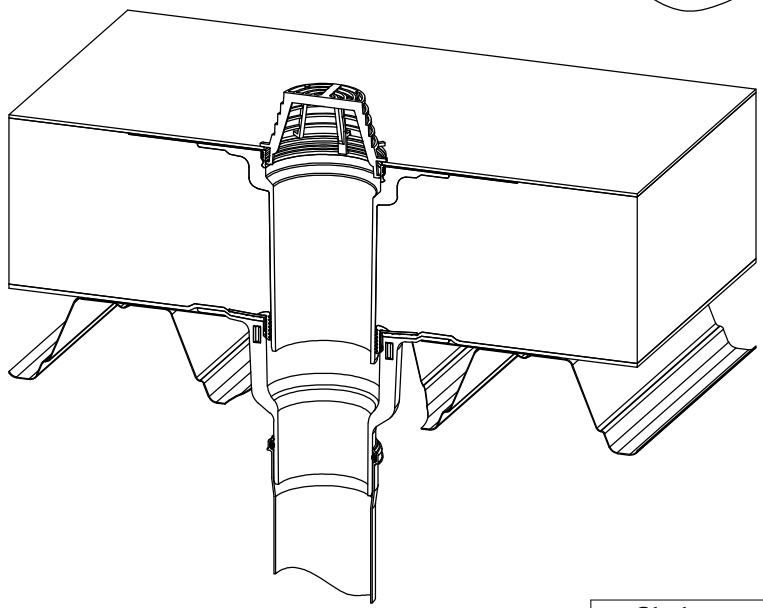


- 1) Substructure
- 2) Vapour barrier
- 3) Thermal insulation
- 4) Roof covering acc. to flat roof guidelines
- 5) SitaReinforcement sheet
- 6) Sita dome grate
- 7) SitaTrendy extension unit
- 8) SitaTrendy screw-on-flange roof outlet, vertical



Status: 08.2010	Scale: 1:5	SitaTrendy screw-on-flange roof outlet with SitaTrendy extension unit, in an ventilated roof (warm roof).
