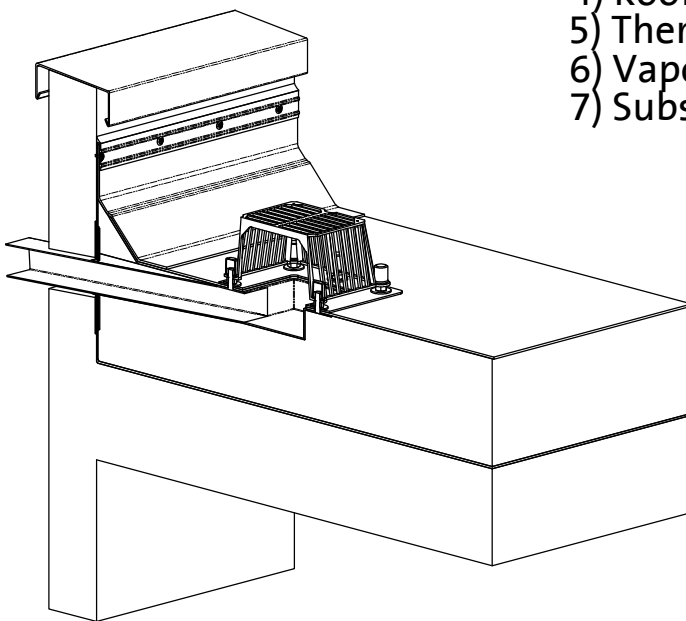


- 1) SitaTurbo steam vapour barrier plate
- 2) Sita dome grate
- 3) SitaTurbo parapet outlet
- 4) Roof covering acc. to flat roof guidelines
- 5) Thermal insulation
- 6) Vapour barrier
- 7) Substructure



Status:
06.2007

Scale:
1:8

SitaTurbo parapet outlet
and SitaTurbo steam vapour
barrier plate in an
unventilated roof (warm roof).

sita 