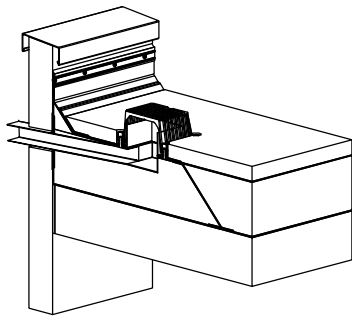


- 1) Sita steam vapour barrier
- 2) Substructure
- 3) Vapour barrier
- 4) Thermal insulation
- 5) SitaTurbo as emergency outlet with retaining-loose-flange
- 6) Superimposed load
- 7) Roof fleece
- 8) Extruded polystyrene
- 9) Roof covering acc. to flat roof guidelines



Status: 02.2010	Scale: 1:8	Emergency drainage with SitaTurbo and Sita steam vapour barrier in an inverted roof.