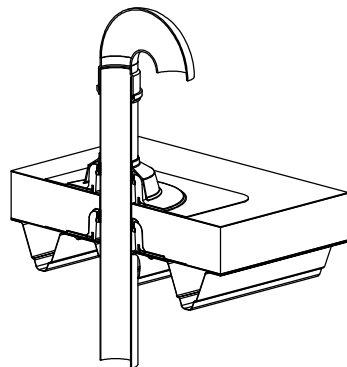


- 1) Substructure
- 2) Vapour barrier
- 3) Reinforcement sheet
- 4) Thermal insulation
- 5) Roof covering acc. to flat roof guidelines
- 6) Raindeflector
- 7) PE-pipe with removable 180° bend
- 8) Ground plate with connection sleeve and sealing ring



Status:
05.2010

Scale:
1:5

SitaVent pipe system
with pipe fairlead
in an unventilated
roof (warm roof).

