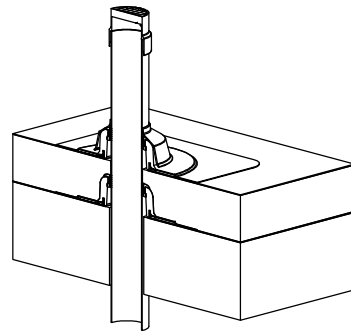


- 1) Substructure
- 2) Vapour barrier
- 3) Thermal insulation
- 4) Roof covering acc. to flat roof guidelines
- 5) Ground plate with connection sleeve and sealing ring
- 6) Protective grating
- 7) PE-pipe
- 8) Raindeflector



Status: 07.2007	Scale: 1:5	SitaVent pipe system with protective grating in an unventilated roof (warm roof).
sita 